

LC-SC Simplex Fiber Optic Adapter



Overview

A fiber optic adapter, sometimes also called a coupler, is a small device designed to terminate or link the fiber optic cables or fiber optic connectors between two fiber optic lines.

The LC-SC Hybrid Fiber Optic Adapter is a special style of fiber optic adapter that supports the precision connection of different types of fiber optic connectors. It is specially designed to incorporate the Small Form Factor LC into SC configured environment. The compact design enables network operators to reduce costs via space savings, and by eliminating hybrid cable assemblies.

Benefits

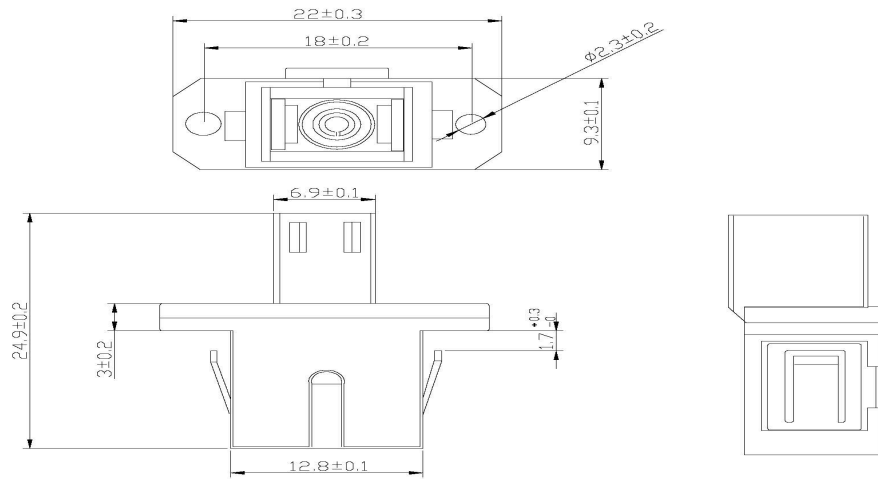
- $\leq 0.5\text{dB}$ (Typical) Low Insertion Loss
- Color Coded for Rapid Fiber Management
- Protective Dust Cap Keeps Adapter's Interior Clean from Dust
- No Tools Required for Assembly Installation
- Available in A Variety of Connector Types

Product Specification

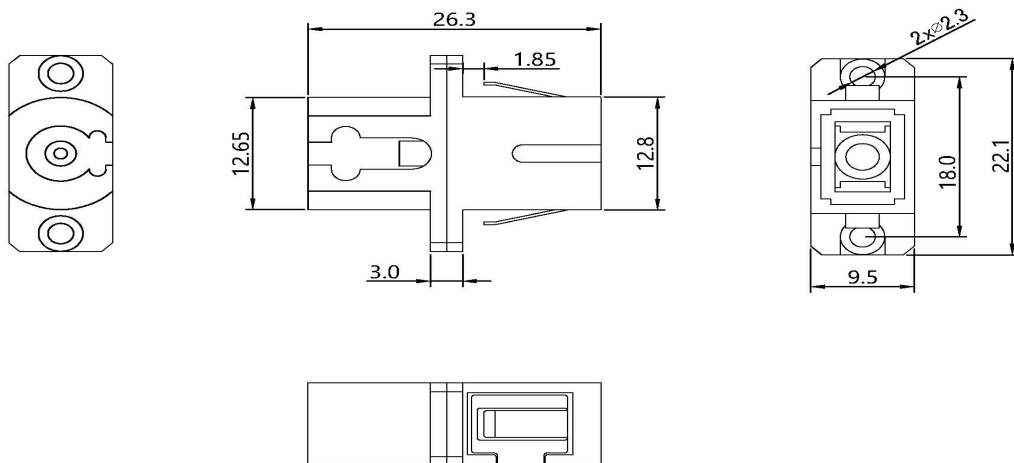
Specification	LC-SC Simplex Fiber Optic Adapter			
#ID	#22332	#12532	#21106	#12085
Connector 1	LC/UPC Female	SC Female	SC Female	LC Female
Connector 2	SC/UPC Female	LC Female	LC Female	SC Male
Fiber Mode	OS2	Single Mode/Multimode	OS2	OS2
Insertion Loss	≤0.5dB	≤0.5dB	≤0.5dB	≤0.5dB
Body Style	Simplex	Simplex	Simplex	Simplex
Flammability Rate	UL 94V-0	UL 94V-0	UL 94V-0	UL 94V-0
Working Temperature	-25 to 70°C(-13 to 158°F)	-25 to 70°C(-13 to 158°F)	-25 to 70°C(-13 to 158°F)	-25 to 70°C(-13 to 158°F)

Product Drawing

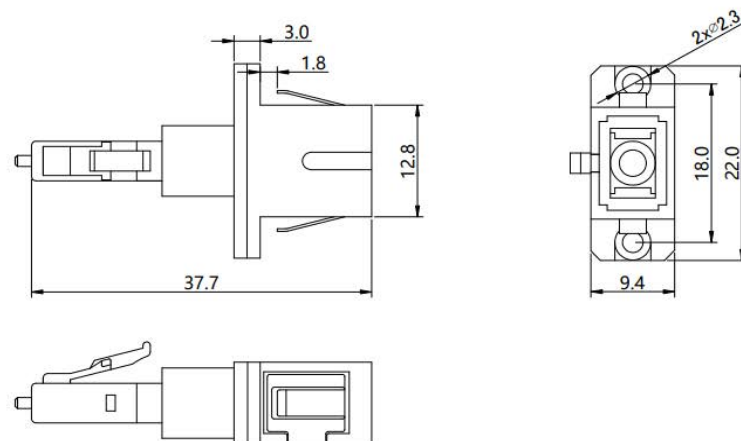
ID:22332



ID:12532



ID:21106



Note: Dimensions are in millimeters.