

A dark, monochromatic photograph of a server room with rows of server racks and overhead lights.

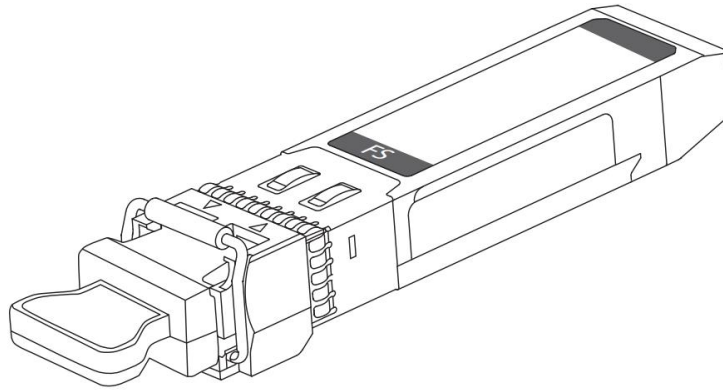
Digital Video Transceiver Modules Data Sheet

Contents

| | |
|--|----|
| Product overview | 3 |
| Features and benefits | 3 |
| Product specifications | 13 |
| Warranty | 20 |
| Ordering information | 20 |
| Regulatory and standards compliance | 22 |
| Additional information | 24 |
| Document history | 24 |

Product overview

The FS® Digital Video Transceivers are the perfect solution for high-speed communication networks. It is fully compliant with Small Form-Factor Pluggable (SFP) Transceiver Multi-Source Agreement (MSA). These transceiver modules provides the system designer with Camera, Video, Security Monitoring and other Fibre Channel applications. (See Figure 1).



- SFP-3G31-2
- SFP-12G31-10
- SFP-3G31ST-2
- BSFP-3G34-10

Figure 1.

Digital Video Optical modules

Features and benefits

- Passed the SDI Pathological Code Test and Support Irregular Code Rate Signals
- Supports Video Pathological Patterns for SD/HD/3G/6G/12G-SDI
- Support for Broadcasting Applications
- Digital Optical Monitoring Capability for Strong Diagnostic Capabilities

Table 1 describes the digital video optical modules portfolio.

Table 1. Digital Video Optical modules portfolio

| Product | Description | Connector type |
|---------------------|---|----------------|
| BSFP-3G34-10 | 3Gb/s BiDi SFP Transceiver, Simplex LC, 10km over OS2 SMF | Simplex LC |
| BSFP-3G35-10 | 3Gb/s BiDi SFP Transceiver, Simplex LC, 10km over OS2 SMF | Simplex LC |
| BSFP-3G53-10 | 3Gb/s BiDi SFP Transceiver, Simplex LC, 10km over OS2 SMF | Simplex LC |

| Product | Description | Connector type |
|-------------------------|---|----------------|
| BSFP-3G43-10 | 3Gb/s BiDi SFP Transceiver, Simplex LC, 10km over OS2 SMF | Simplex LC |
| BSFP-3G45-10 | 3Gb/s BiDi SFP Transceiver, Simplex LC, 10km over OS2 SMF | Simplex LC |
| BSFP-3G54-10 | 3Gb/s BiDi SFP Transceiver, Simplex LC, 10km over OS2 SMF | Simplex LC |
| BSFP-3G45-40 | 3Gb/s BiDi SFP Transceiver, Simplex LC, 40km over OS2 SMF | Simplex LC |
| BSFP-3G54-40 | 3Gb/s BiDi SFP Transceiver, Simplex LC, 40km over OS2 SMF | Simplex LC |
| CWDM-SFP3G-10 | 3Gb/s CWDM SFP Transceiver, Duplex LC, 10km over OS2 SMF | Duplex LC |
| CWDM-SFP3G-40 | 3Gb/s CWDM SFP Transceiver, Duplex LC, 40km over OS2 SMF | Duplex LC |
| CWDM-SFP3G-80 | 3Gb/s CWDM SFP Transceiver, Duplex LC, 80km over OS2 SMF | Duplex LC |
| CWDM-SFP3GDR-10 | 3Gb/s CWDM SFP Transceiver, Duplex LC, 10km over OS2 SMF | Duplex LC |
| CWDM-SFP3GDR-40 | 3Gb/s CWDM SFP Transceiver, Duplex LC, 40km over OS2 SMF | Duplex LC |
| CWDM-SFP3GDT-40 | 3Gb/s CWDM SFP Transceiver, Duplex LC, 40km over OS2 SMF | Duplex LC |
| CWDM-SFP3GST-10 | 3Gb/s CWDM SFP Transceiver, Duplex LC, 10km over OS2 SMF | Duplex LC |
| CWDM-SFP3GSDT-10 | 3Gb/s CWDM SFP Transceiver, Duplex LC, 10km over OS2 SMF | Duplex LC |
| CWDM-SFP3GSR-10 | 3Gb/s CWDM SFP Transceiver, Duplex LC, 10km over OS2 SMF | Duplex LC |
| CWDM-SFP3GST-40 | 3Gb/s CWDM SFP Transceiver, Duplex LC, 40km over OS2 SMF | Duplex LC |
| CWDM-SFP3GSR-40 | 3Gb/s CWDM SFP Transceiver, Duplex LC, 40km over OS2 SMF | Duplex LC |
| SFP-12G31-10 | 12Gb/s SFP Transceiver, Duplex LC, 10km over OS2 SMF | Duplex LC |
| SFP-12G31-20 | 12Gb/s SFP Transceiver, Duplex LC, 20km over OS2 SMF | Duplex LC |
| SFP-3G31DT-2 | 3Gb/s SFP Transceiver, Duplex LC, 2km over OS2 SMF | Duplex LC |
| SFP-6G31-20 | 6Gb/s SFP Transceiver, Duplex LC, 20km over OS2 SMF | Duplex LC |
| SFP-3G31SR-2 | 3Gb/s SFP Transceiver, Duplex LC, 2km over OS2 SMF | Duplex LC |
| SFP-6G31-10 | 6Gb/s SFP Transceiver, Duplex LC, 10km over OS2 SMF | Duplex LC |

| Product | Description | Connector type |
|----------------------|---|----------------|
| SFP-3G31DR-2 | 3Gb/s SFP Transceiver, Duplex LC, 2km over OS2 SMF | Duplex LC |
| SFP-3G31DT-20 | 3Gb/s SFP Transceiver, Duplex LC, 20km over OS2 SMF | Duplex LC |
| SFP-3G31ST-20 | 3Gb/s SFP Transceiver, Duplex LC, 20km over OS2 SMF | Duplex LC |
| SFP-3G31DR-20 | 3Gb/s SFP Transceiver, Duplex LC, 20km over OS2 SMF | Duplex LC |
| SFP-3G31SR-20 | 3Gb/s SFP Transceiver, Duplex LC, 20km over OS2 SMF | Duplex LC |
| SFP-3G31-20 | 3Gb/s SFP Transceiver, Duplex LC, 20km over OS2 SMF | Duplex LC |
| SFP-3G55ST-40 | 3Gb/s SFP Transceiver, Duplex LC, 40km over OS2 SMF | Duplex LC |
| SFP-3G31DT-40 | 3Gb/s SFP Transceiver, Duplex LC, 40km over OS2 SMF | Duplex LC |
| SFP-3G31ST-40 | 3Gb/s SFP Transceiver, Duplex LC, 40km over OS2 SMF | Duplex LC |
| SFP-3G31DR-40 | 3Gb/s SFP Transceiver, Duplex LC, 40km over OS2 SMF | Duplex LC |
| SFP-3G31SR-40 | 3Gb/s SFP Transceiver, Duplex LC, 40km over OS2 SMF | Duplex LC |
| SFP-3G55DT-40 | 3Gb/s SFP Transceiver, Duplex LC, 40km over OS2 SMF | Duplex LC |
| SFP-3G55DR-40 | 3Gb/s SFP Transceiver, Duplex LC, 40km over OS2 SMF | Duplex LC |
| SFP-3G55SR-40 | 3Gb/s SFP Transceiver, Duplex LC, 40km over OS2 SMF | Duplex LC |
| SFP-3G31-2 | 3Gb/s SFP Transceiver, Duplex LC, 2km over OS2 SMF | Duplex LC |
| SFP-3G31-40 | 3Gb/s SFP Transceiver, Duplex LC, 40km over OS2 SMF | Duplex LC |
| SFP-3G55-40 | 3Gb/s SFP Transceiver, Duplex LC, 40km over OS2 SMF | Duplex LC |
| SFP-3G31ST-2 | 3Gb/s SFP Transceiver, Duplex LC, 2km over OS2 SMF | Duplex LC |

BSFP-3G34-10

The 3Gb/s BiDi transmitter & receiver SFP transceiver module is for dual-channel video transmission applications up to 10km over single-mode fiber (SMF). This bi-directional unit must be used with another transceiver or network equipment of complementary wavelengths. The transceiver is designed to transmit/receive data rates from 270Mbps to 3Gbps and supports SDI pathological patterns for SMPTE 259M, SMPTE 344M, SMPTE 292M and SMPTE 424M serial rates.

BSFP-3G35-10

The 3Gb/s BiDi transmitter & receiver SFP transceiver module is for dual-channel video transmission applications up to 10km over single-mode fiber (SMF). This bi-directional unit must be used with another transceiver or network equipment of complementary wavelengths. The transceiver is designed to transmit/receive data rates from 270Mbps to 3Gbps and supports SDI pathological patterns for SMPTE 259M, SMPTE 344M, SMPTE 292M and SMPTE 424M serial rates.

BSFP-3G53-10

The 3Gb/s BiDi transmitter & receiver SFP transceiver module is for dual-channel video transmission applications up to 10km over single-mode fiber (SMF). This bi-directional unit must be used with another transceiver or network equipment of complementary wavelengths. The transceiver is designed to transmit/receive data rates from 270Mbps to 3Gbps and supports SDI pathological patterns for SMPTE 259M, SMPTE 344M, SMPTE 292M and SMPTE 424M serial rates.

BSFP-3G43-10

The 3Gb/s BiDi transmitter & receiver SFP transceiver module is for dual-channel video transmission applications up to 10km over single-mode fiber (SMF). This bi-directional unit must be used with another transceiver or network equipment of complementary wavelengths. The transceiver is designed to transmit/receive data rates from 270Mbps to 3Gbps and supports SDI pathological patterns for SMPTE 259M, SMPTE 344M, SMPTE 292M and SMPTE 424M serial rates.

BSFP-3G45-10

The 3Gb/s BiDi transmitter & receiver SFP transceiver module is for dual-channel video transmission applications up to 10km over single-mode fiber (SMF). This bi-directional unit must be used with another transceiver or network equipment of complementary wavelengths. The transceiver is designed to transmit/receive data rates from 270Mbps to 3Gbps and supports SDI pathological patterns for SMPTE 259M, SMPTE 344M, SMPTE 292M and SMPTE 424M serial rates.

BSFP-3G54-10

The 3Gb/s BiDi transmitter & receiver SFP transceiver module is for dual-channel video transmission applications up to 10km over single-mode fiber (SMF). This bi-directional unit must be used with another transceiver or network equipment of complementary wavelengths. The transceiver is designed to transmit/receive data rates from 270Mbps to 3Gbps and supports SDI pathological patterns for SMPTE 259M, SMPTE 344M, SMPTE 292M and SMPTE 424M serial rates.

BSFP-3G45-40

The 3Gb/s BiDi transmitter & receiver SFP transceiver module is for dual-channel video transmission applications up to 40km over single-mode fiber (SMF). This bi-directional unit must be used with another transceiver or network equipment of complementary wavelengths. The transceiver is designed to transmit/receive data rates from 270Mbps to 3Gbps and supports SDI pathological patterns for SMPTE 259M, SMPTE 344M, SMPTE 292M and SMPTE 424M serial rates.

BSFP-3G54-40

The 3Gb/s BiDi transmitter & receiver SFP transceiver module is for dual-channel video transmission applications up to 40km over single-mode fiber (SMF). This bi-directional unit must be used with another transceiver or network equipment of complementary wavelengths. The transceiver is designed to transmit/receive data rates from 270Mbps to 3Gbps and supports SDI pathological patterns for SMPTE 259M, SMPTE 344M, SMPTE 292M and SMPTE 424M serial rates.

CWDM-SFP3G-10

The 3Gb/s CWDM transmitter & receiver SFP transceiver module is for dual-channel video transmission applications up to 10km over single-mode fiber (SMF). The transceiver is designed to transmit/receive data rates from 270Mbps to 3Gbps and supports SDI pathological patterns for SMPTE 259M, SMPTE 344M, SMPTE 292M and SMPTE 424M serial rates. It helps the system designer and end-user save much more fiber cables.

CWDM-SFP3G-40

The 3Gb/s CWDM transmitter & receiver SFP transceiver module is for dual-channel video transmission applications up to 40km over single-mode fiber (SMF). The transceiver is designed to transmit/receive data rates from 270Mbps to 3Gbps and supports SDI pathological patterns for SMPTE 259M, SMPTE 344M, SMPTE 292M and SMPTE 424M serial rates. It helps the system designer and end-user save much more fiber cables.

CWDM-SFP3G-80

The 3Gb/s CWDM transmitter & receiver SFP transceiver module is for dual-channel video transmission applications up to 80km over single-mode fiber (SMF). The transceiver is designed to transmit/receive data rates from 270Mbps to 3Gbps and supports SDI pathological patterns for SMPTE 259M, SMPTE 344M, SMPTE 292M and SMPTE 424M serial rates. It helps the system designer and end-user save much more fiber cables.

CWDM-SFP3GDR-10

The 3Gb/s CWDM dual receivers SFP transceiver module is for dual-channel video transmission applications up to 10km over single-mode fiber (SMF). The transceiver is designed to transmit/receive data rates from 270Mbps to 3Gbps and supports SDI pathological patterns for SMPTE 259M, SMPTE 344M, SMPTE 292M and SMPTE 424M serial rates. It helps the system designer and end-user save much more fiber cables.

CWDM-SFP3GDR-40

The 3Gb/s CWDM dual receivers SFP transceiver module is for dual-channel video transmission applications up to 10km over single-mode fiber (SMF). The transceiver is designed to transmit/receive data rates from 270Mbps to 3Gbps and supports SDI pathological patterns for SMPTE 259M, SMPTE 344M, SMPTE 292M and SMPTE 424M serial rates. It helps the system designer and end-user save much more fiber cables.

CWDM-SFP3GDT-40

The 3Gb/s CWDM dual transmitters SFP transceiver module is for dual-channel video transmission applications up to 40km over single-mode fiber (SMF). The transceiver is designed to transmit/receive data rates from 270Mbps to 3Gbps and supports SDI pathological patterns for SMPTE 259M, SMPTE 344M, SMPTE 292M and SMPTE 424M serial rates. It helps the system designer and end-user save much more fiber cables.

CWDM-SFP3GST-10

The 3Gb/s CWDM single transmitter SFP transceiver module is for single-channel video transmission applications up to 10km over single-mode fiber (SMF). The transceiver is designed to transmit/receive data rates from 270Mbps to 3Gbps and supports SDI pathological patterns for SMPTE 259M, SMPTE 344M, SMPTE 292M and SMPTE 424M serial rates. It helps the system designer and end-user save much more fiber cables.

CWDM-SFP3GSDT-10

The 3Gb/s CWDM dual transmitters SFP transceiver module is for dual-channel video transmission applications up to 10km over single-mode fiber (SMF). The transceiver is designed to transmit/receive data rates from 270Mbps to 3Gbps and supports SDI pathological patterns for SMPTE 259M, SMPTE 344M, SMPTE 292M and SMPTE 424M serial rates. It helps the system designer and end-user save much more fiber cables.

CWDM-SFP3GSR-10

The 3Gb/s CWDM single receiver SFP transceiver module is for single-channel video transmission applications up to 10km over single-mode fiber (SMF). The transceiver is designed to transmit/receive data rates from 270Mbps to 3Gbps and supports SDI pathological patterns for SMPTE 259M, SMPTE 344M, SMPTE 292M and SMPTE 424M serial rates. It helps the system designer and end-user save much more fiber cables.

CWDM-SFP3GST-40

The 3Gb/s CWDM single transmitter SFP transceiver module is for single-channel video transmission applications up to 40km over single-mode fiber (SMF). The transceiver is designed to transmit/receive data rates from 270Mbps to 3Gbps and supports SDI pathological patterns for SMPTE 259M, SMPTE 344M, SMPTE 292M and SMPTE 424M serial rates. It helps the system designer and end-user save much more fiber cables.

CWDM-SFP3GSR-40

The 3Gb/s CWDM single receiver SFP transceiver module is for single-channel video transmission applications up to 40km over single-mode fiber (SMF). The transceiver is designed to transmit/receive data rates from 270Mbps to 3Gbps and supports SDI pathological patterns for SMPTE 259M, SMPTE 344M, SMPTE 292M and SMPTE 424M serial rates. It helps the system designer and end-user save much more fiber cables.

SFP-12G31-10

The 12Gb/s Transmitter & Receiver SFP transceiver module is for dual-channel video transmission applications up to 10km over single-mode fiber (SMF). The transceiver is designed to transmit/receive data rates from 270Mbps to 12Gbps and supports SDI pathological patterns for SMPTE 259M, SMPTE 344M, SMPTE 292M, SMPTE 424M, SMPTE ST-2081 and SMPTE ST-2082 serial rates.

SFP-12G31-20

The 12Gb/s Transmitter & Receiver SFP transceiver module is for dual-channel video transmission applications up to 20km over single-mode fiber (SMF). The transceiver is designed to transmit/receive data rates from 270Mbps to 12Gbps and supports SDI pathological patterns for SMPTE 259M, SMPTE 344M, SMPTE 292M, SMPTE 424M, SMPTE ST-2081 and SMPTE ST-2082 serial rates.

SFP-3G31DT-2

The 3Gb/s dual transmitters SFP transceiver module is for dual-channel video transmission applications up to 2km over single-mode fiber (SMF). The transceiver is designed to transmit/receive data rates from 270Mbps to 3Gbps and supports SDI pathological patterns for SMPTE 259M, SMPTE 344M, SMPTE 292M and SMPTE 424M serial rates.

SFP-6G31-20

The 6Gb/s Transmitter & Receiver SFP transceiver module is for dual-channel video transmission applications up to 20km over single-mode fiber (SMF). The transceiver is designed to transmit/receive data rates from 270Mbps to 6Gbps and supports SDI pathological patterns for SMPTE 259M, SMPTE 344M, SMPTE 292M, SMPTE 424M and SMPTE ST-2081 serial rates.

SFP-3G31SR-2

The 3Gb/s single receiver SFP transceiver module is for single-channel video transmission applications up to 2km over single-mode fiber (SMF). The transceiver is designed to transmit/receive data rates from 270Mbps to 3Gbps and supports SDI pathological patterns for SMPTE 259M, SMPTE 344M, SMPTE 292M and SMPTE 424M serial rates.

SFP-6G31-10

The 6Gb/s Transmitter & Receiver SFP transceiver module is for dual-channel video transmission applications up to 10km over single-mode fiber (SMF). The transceiver is designed to transmit/receive data rates from 270Mbps to 6Gbps and supports SDI pathological patterns for SMPTE 259M, SMPTE 344M, SMPTE 292M, SMPTE 424M and SMPTE ST-2081 serial rates.

SFP-3G31DR-2

The 3Gb/s dual receivers SFP transceiver module is for dual-channel video transmission applications up to 2km over single-mode fiber (SMF). The transceiver is designed to transmit/receive data rates from 270Mbps to 3Gbps and supports SDI pathological patterns for SMPTE 259M, SMPTE 344M, SMPTE 292M and SMPTE 424M serial rates.

SFP-3G31DT-20

The 3Gb/s dual transmitters SFP transceiver module is for dual-channel video transmission applications up to 20km over single-mode fiber (SMF). The transceiver is designed to transmit/receive data rates from 270Mbps to 3Gbps and supports SDI pathological patterns for SMPTE 259M, SMPTE 344M, SMPTE 292M and SMPTE 424M serial rates.

SFP-3G31ST-20

The 3Gb/s single transmitter SFP transceiver module is for single-channel video transmission applications up to 20km over single-mode fiber (SMF). The transceiver is designed to transmit/receive data rates from 270Mbps to 3Gbps and supports SDI pathological patterns for SMPTE 259M, SMPTE 344M, SMPTE 292M and SMPTE 424M serial rates.

SFP-3G31DR-20

The 3Gb/s dual receivers SFP transceiver module is for dual-channel video transmission applications up to 20km over single-mode fiber (SMF). The transceiver is designed to transmit/receive data rates from 270Mbps to 3Gbps and supports SDI pathological patterns for SMPTE 259M, SMPTE 344M, SMPTE 292M and SMPTE 424M serial rates.

SFP-3G31SR-20

The 3Gb/s single receiver SFP transceiver module is for single-channel video transmission applications up to 20km over single-mode fiber (SMF). The transceiver is designed to transmit/receive data rates from 270Mbps to 3Gbps and supports SDI pathological patterns for SMPTE 259M, SMPTE 344M, SMPTE 292M and SMPTE 424M serial rates.

SFP-3G31-20

The 3Gb/s transmitter & receiver SFP transceiver module is for dual-channel video transmission applications up to 20km over single-mode fiber (SMF). The transceiver is designed to transmit/receive data rates from 270Mbps to 3Gbps and supports SDI pathological patterns for SMPTE 259M, SMPTE 344M, SMPTE 292M and SMPTE 424M serial rates.

SFP-3G55ST-40

The 3Gb/s single transmitter SFP transceiver module is for single-channel video transmission applications up to 40km over single-mode fiber (SMF). The transceiver is designed to transmit/receive data rates from 270Mbps to 3Gbps and supports SDI pathological patterns for SMPTE 259M, SMPTE 344M, SMPTE 292M and SMPTE 424M serial rates.

SFP-3G31DT-40

The 3Gb/s dual transmitters SFP transceiver module is for dual-channel video transmission applications up to 40km over single-mode fiber (SMF). The transceiver is designed to transmit/receive data rates from 270Mbps to 3Gbps and supports SDI pathological patterns for SMPTE 259M, SMPTE 344M, SMPTE 292M and SMPTE 424M serial rates.

SFP-3G31ST-40

The 3Gb/s single transmitter SFP transceiver module is for single-channel video transmission applications up to 40km over single-mode fiber (SMF). The transceiver is designed to transmit/receive data rates from 270Mbps to 3Gbps and supports SDI pathological patterns for SMPTE 259M, SMPTE 344M, SMPTE 292M and SMPTE 424M serial rates.

SFP-3G31DR-40

The 3Gb/s dual receivers SFP transceiver module is for dual-channel video transmission applications up to 40km over single-mode fiber (SMF). The transceiver is designed to transmit/receive data rates from 270Mbps to 3Gbps and supports SDI pathological patterns for SMPTE 259M, SMPTE 344M, SMPTE 292M and SMPTE 424M serial rates.

SFP-3G31SR-40

The 3Gb/s single receiver SFP transceiver module is for single-channel video transmission applications up to 40km over single-mode fiber (SMF). The transceiver is designed to transmit/receive data rates from 270Mbps to 3Gbps and supports SDI pathological patterns for SMPTE 259M, SMPTE 344M, SMPTE 292M and SMPTE 424M serial rates.

SFP-3G55DT-40

The 3Gb/s dual transmitters SFP transceiver module is for dual-channel video transmission applications up to 40km over single-mode fiber (SMF). The transceiver is designed to transmit/receive data rates from 270Mbps to 3Gbps and supports SDI pathological patterns for SMPTE 259M, SMPTE 344M, SMPTE 292M and SMPTE 424M serial rates.

SFP-3G55DR-40

The 3Gb/s dual receivers SFP transceiver module is for dual-channel video transmission applications up to 40km over single-mode fiber (SMF). The transceiver is designed to transmit/receive data rates from 270Mbps to 3Gbps and supports SDI pathological patterns for SMPTE 259M, SMPTE 344M, SMPTE 292M and SMPTE 424M serial rates.

SFP-3G55SR-40

The 3Gb/s single receiver SFP transceiver module is for single-channel video transmission applications up to 40km over single-mode fiber (SMF). The transceiver is designed to transmit/receive data rates from 270Mbps to 3Gbps and supports SDI pathological patterns for SMPTE 259M, SMPTE 344M, SMPTE 292M and SMPTE 424M serial rates.

SFP-3G31-2

The 3Gb/s transmitter & receiver SFP transceiver module is for dual-channel video transmission applications up to 2km over single-mode fiber (SMF). The transceiver is designed to transmit/receive data rates from 270Mbps to 3Gbps and supports SDI pathological patterns for SMPTE 259M, SMPTE 344M, SMPTE 292M and SMPTE 424M serial rates.

SFP-3G31-40

The 3Gb/s transmitter & receiver SFP transceiver module is for dual-channel video transmission applications up to 40km over single-mode fiber (SMF).The transceiver is designed to transmit/receive data rates from 270Mbps to 3Gbps and supports SDI pathological patterns for SMPTE 259M, SMPTE 344M, SMPTE 292M and SMPTE 424M serial rates.

SFP-3G55-40

The 3Gb/s transmitter & receiver SFP transceiver module is for dual-channel video transmission applications up to 40km over single-mode fiber (SMF). The transceiver is designed to transmit/receive data rates from 270Mbps to 3Gbps and supports SDI pathological patterns for SMPTE 259M, SMPTE 344M, SMPTE 292M and SMPTE 424M serial rates.

SFP-3G31ST-2

The 3Gb/s single transmitter SFP transceiver module is for single-channel video transmission applications up to 2km over single-mode fiber (SMF). The transceiver is designed to transmit/receive data rates from 270Mbps to 3Gbps and supports SDI pathological patterns for SMPTE 259M, SMPTE 344M, SMPTE 292M and SMPTE 424M serial rates.

Product Specifications

Table 2 shows the key electrical characteristics for the digital video optical modules.

Table 2. Electrical specifications

| Product | Description | Nominal data rate (Gbps) | High-speed electrical | Link meter |
|------------------------|---|--------------------------|-----------------------|------------|
| BSFP-3G34-10 | 3Gb/s BiDi SFP Transceiver, Simplex LC, 10km over OS2 SMF | 3Gbps | - | 10km |
| BSFP-3G35-10 | 3Gb/s BiDi SFP Transceiver, Simplex LC, 10km over OS2 SMF | 3Gbps | - | 10km |
| BSFP-3G53-10 | 3Gb/s BiDi SFP Transceiver, Simplex LC, 10km over OS2 SMF | 3Gbps | - | 10km |
| BSFP-3G43-10 | 3Gb/s BiDi SFP Transceiver, Simplex LC, 10km over OS2 SMF | 3Gbps | - | 10km |
| BSFP-3G45-10 | 3Gb/s BiDi SFP Transceiver, Simplex LC, 10km over OS2 SMF | 3Gbps | - | 10km |
| BSFP-3G54-10 | 3Gb/s BiDi SFP Transceiver, Simplex LC, 10km over OS2 SMF | 3Gbps | - | 10km |
| BSFP-3G45-40 | 3Gb/s BiDi SFP Transceiver, Simplex LC, 40km over OS2 SMF | 3Gbps | - | 40km |
| BSFP-3G54-40 | 3Gb/s BiDi SFP Transceiver, Simplex LC, 40km over OS2 SMF | 3Gbps | - | 40km |
| CWDM-SFP3G-10 | 3Gb/s CWDM SFP Transceiver, Duplex LC, 10km over OS2 SMF | 3Gbps | - | 10km |
| CWDM-SFP3G-40 | 3Gb/s CWDM SFP Transceiver, Duplex LC, 40km over OS2 SMF | 3Gbps | - | 40km |
| CWDM-SFP3G-80 | 3Gb/s CWDM SFP Transceiver, Duplex LC, 80km over OS2 SMF | 3Gbps | - | 80km |
| CWDM-SFP3GDR-10 | 3Gb/s CWDM SFP Transceiver, Duplex LC, 10km over OS2 SMF | 3Gbps | - | 10km |
| CWDM-SFP3GDR-40 | 3Gb/s CWDM SFP Transceiver, Duplex LC, 40km over OS2 SMF | 3Gbps | - | 40km |
| CWDM-SFP3GDT-40 | 3Gb/s CWDM SFP Transceiver, Duplex LC, 40km over OS2 SMF | 3Gbps | - | 40km |
| CWDM-SFP3GST-10 | 3Gb/s CWDM SFP Transceiver, Duplex LC, 10km over OS2 SMF | 3Gbps | - | 10km |

| Product | Description | Nominal data rate (Gbps) | High-speed electrical | Link meter |
|-------------------------|--|--------------------------|-----------------------|------------|
| CWDM-SFP3GSDT-10 | 3Gb/s CWDM SFP Transceiver, Duplex LC, 10km over OS2 SMF | 3Gbps | - | 10km |
| CWDM-SFP3GSR-10 | 3Gb/s CWDM SFP Transceiver, Duplex LC, 10km over OS2 SMF | 3Gbps | - | 10km |
| CWDM-SFP3GST-40 | 3Gb/s CWDM SFP Transceiver, Duplex LC, 40km over OS2 SMF | 3Gbps | - | 40km |
| CWDM-SFP3GSR-40 | 3Gb/s CWDM SFP Transceiver, Duplex LC, 40km over OS2 SMF | 3Gbps | - | 40km |
| SFP-12G31-10 | 12Gb/s SFP Transceiver, Duplex LC, 10km over OS2 SMF | 12Gbps | - | 10km |
| SFP-12G31-20 | 12Gb/s SFP Transceiver, Duplex LC, 20km over OS2 SMF | 12Gbps | - | 20km |
| SFP-3G31DT-2 | 3Gb/s SFP Transceiver, Duplex LC, 2km over OS2 SMF | 3Gbps | - | 2km |
| SFP-6G31-20 | 6Gb/s SFP Transceiver, Duplex LC, 20km over OS2 SMF | 6Gbps | - | 20km |
| SFP-3G31SR-2 | 3Gb/s SFP Transceiver, Duplex LC, 2km over OS2 SMF | 3Gbps | - | 2km |
| SFP-6G31-10 | 6Gb/s SFP Transceiver, Duplex LC, 10km over OS2 SMF | 6Gbps | - | 10km |
| SFP-3G31DR-2 | 3Gb/s SFP Transceiver, Duplex LC, 2km over OS2 SMF | 3Gbps | - | 2km |
| SFP-3G31DT-20 | 3Gb/s SFP Transceiver, Duplex LC, 20km over OS2 SMF | 3Gbps | - | 20km |
| SFP-3G31ST-20 | 3Gb/s SFP Transceiver, Duplex LC, 20km over OS2 SMF | 3Gbps | - | 20km |
| SFP-3G31DR-20 | 3Gb/s SFP Transceiver, Duplex LC, 20km over OS2 SMF | 3Gbps | - | 20km |
| SFP-3G31SR-20 | 3Gb/s SFP Transceiver, Duplex LC, 20km over OS2 SMF | 3Gbps | - | 20km |
| SFP-3G31-20 | 3Gb/s SFP Transceiver, Duplex LC, 20km over OS2 SMF | 3Gbps | - | 20km |
| SFP-3G55ST-40 | 3Gb/s SFP Transceiver, Duplex LC, 40km over OS2 SMF | 3Gbps | - | 40km |

| Product | Description | Nominal data rate (Gbps) | High-speed electrical | Link meter |
|----------------------|---|--------------------------|-----------------------|------------|
| SFP-3G31DT-40 | 3Gb/s SFP Transceiver, Duplex LC, 40km over OS2 SMF | 3Gbps | - | 40km |
| SFP-3G31ST-40 | 3Gb/s SFP Transceiver, Duplex LC, 40km over OS2 SMF | 3Gbps | - | 40km |
| SFP-3G31DR-40 | 3Gb/s SFP Transceiver, Duplex LC, 40km over OS2 SMF | 3Gbps | - | 40km |
| SFP-3G31SR-40 | 3Gb/s SFP Transceiver, Duplex LC, 40km over OS2 SMF | 3Gbps | - | 40km |
| SFP-3G55DT-40 | 3Gb/s SFP Transceiver, Duplex LC, 40km over OS2 SMF | 3Gbps | - | 40km |
| SFP-3G55DR-40 | 3Gb/s SFP Transceiver, Duplex LC, 40km over OS2 SMF | 3Gbps | - | 40km |
| SFP-3G55SR-40 | 3Gb/s SFP Transceiver, Duplex LC, 40km over OS2 SMF | 3Gbps | - | 40km |
| SFP-3G31-2 | 3Gb/s SFP Transceiver, Duplex LC, 2km over OS2 SMF | 3Gbps | - | 2km |
| SFP-3G31-40 | 3Gb/s SFP Transceiver, Duplex LC, 40km over OS2 SMF | 3Gbps | - | 40km |
| SFP-3G55-40 | 3Gb/s SFP Transceiver, Duplex LC, 40km over OS2 SMF | 3Gbps | - | 40km |
| SFP-3G31ST-2 | 3Gb/s SFP Transceiver, Duplex LC, 2km over OS2 SMF | 3Gbps | - | 2km |

Table 3 shows the key optical characteristics for the digital video optical modules.

Table 3. Optical specifications

| Product | Description | Transmit Power (dBm) per lane | | Receive Power (dBm) per lane | | Transmit and Receive Wavelength (nm) |
|---------------------|---|-------------------------------|---------|------------------------------|---------|--------------------------------------|
| | | Minimum | Maximum | Minimum | Maximum | |
| BSFP-3G34-10 | 3Gb/s BiDi SFP Transceiver, Simplex LC, 10km over OS2 SMF | -5 | 0 | -18 | -3 | 1310 (Tx) 1490 (Rx) |
| BSFP-3G35-10 | 3Gb/s BiDi SFP Transceiver, Simplex LC, 10km over OS2 SMF | -5 | 0 | -18 | -3 | 1310 (Tx) 1550 (Rx) |

| Product | Description | Transmit Power (dBm) per lane | | Receive Power (dBm) per lane | | Transmit and Receive Wavelength (nm) |
|------------------------|---|----------------------------------|---------|---------------------------------|---------|---|
| | | Minimum | Maximum | Minimum | Maximum | |
| BSFP-3G53-10 | 3Gb/s BiDi SFP Transceiver, Simplex LC, 10km over OS2 SMF | -5 | 0 | -18 | -3 | 1550 (Tx) 1310 (Rx) |
| BSFP-3G43-10 | 3Gb/s BiDi SFP Transceiver, Simplex LC, 10km over OS2 SMF | -5 | 0 | -18 | -3 | 1490 (Tx) 1310 (Rx) |
| BSFP-3G45-10 | 3Gb/s BiDi SFP Transceiver, Simplex LC, 10km over OS2 SMF | -5 | 0 | -18 | -3 | 1490 (Tx) 1550 (Rx) |
| BSFP-3G54-10 | 3Gb/s BiDi SFP Transceiver, Simplex LC, 10km over OS2 SMF | -5 | 0 | -18 | -3 | 1550 (Tx) 1490 (Rx) |
| BSFP-3G45-40 | 3Gb/s BiDi SFP Transceiver, Simplex LC, 40km over OS2 SMF | -3 | 2 | -18 | -3 | 1490 (Tx) 1550 (Rx) |
| BSFP-3G54-40 | 3Gb/s BiDi SFP Transceiver, Simplex LC, 40km over OS2 SMF | -3 | 2 | -18 | -3 | 1550 (Tx) 1490 (Rx) |
| CWDM-SFP3G-10 | 3Gb/s CWDM SFP Transceiver, Duplex LC, 10km over OS2 SMF | -5 | 0 | -18 | -3 | 1270 to 1610 |
| CWDM-SFP3G-40 | 3Gb/s CWDM SFP Transceiver, Duplex LC, 40km over OS2 SMF | -3 | 2 | -18 | -3 | 1270 to 1610 |
| CWDM-SFP3G-80 | 3Gb/s CWDM SFP Transceiver, Duplex LC, 80km over OS2 SMF | 0 | 5 | -25 | -3 | 1470 to 1610 |
| CWDM-SFP3GDR-10 | 3Gb/s CWDM SFP Transceiver, Duplex LC, 10km over OS2 SMF | -20 | -6 | -20 | -3 | 1270 to 1610 |
| CWDM-SFP3GDR-40 | 3Gb/s CWDM SFP Transceiver, Duplex LC, 40km over OS2 SMF | -20 | -6 | -20 | -3 | 1270 to 1610 |
| CWDM-SFP3GDT-40 | 3Gb/s CWDM SFP Transceiver, Duplex LC, 40km over OS2 SMF | -3 | 2 | -18 | -3 | 1310 |

| Product | Description | Transmit Power (dBm) per lane | | Receive Power (dBm) per lane | | Transmit and Receive Wavelength (nm) |
|-------------------------|--|-------------------------------|---------|------------------------------|---------|--------------------------------------|
| | | Minimum | Maximum | Minimum | Maximum | |
| CWDM-SFP3GST-10 | 3Gb/s CWDM SFP Transceiver, Duplex LC, 10km over OS2 SMF | -5 | 0 | -18 | -3 | 1270 to 1610 |
| CWDM-SFP3GSDT-10 | 3Gb/s CWDM SFP Transceiver, Duplex LC, 10km over OS2 SMF | -3 | 2 | -18 | -3 | 1310 |
| CWDM-SFP3GSR-10 | 3Gb/s CWDM SFP Transceiver, Duplex LC, 10km over OS2 SMF | -3 | 2 | -18 | -3 | 1270 to 1610 |
| CWDM-SFP3GST-40 | 3Gb/s CWDM SFP Transceiver, Duplex LC, 40km over OS2 SMF | -3 | 2 | -18 | -3 | 1270 to 1610 |
| CWDM-SFP3GSR-40 | 3Gb/s CWDM SFP Transceiver, Duplex LC, 40km over OS2 SMF | -3 | 2 | -18 | -3 | 1270 to 1610 |
| SFP-12G31-10 | 12Gb/s SFP Transceiver, Duplex LC, 10km over OS2 SMF | -6 | 0 | -13 | -3 | 1310 |
| SFP-12G31-20 | 12Gb/s SFP Transceiver, Duplex LC, 20km over OS2 SMF | -3 | 2 | -14 | -3 | 1310 |
| SFP-3G31DT-2 | 3Gb/s SFP Transceiver, Duplex LC, 2km over OS2 SMF | -8 | 0 | -18 | -3 | 1310 |
| SFP-6G31-20 | 6Gb/s SFP Transceiver, Duplex LC, 20km over OS2 SMF | -6 | 0 | -14 | -3 | 1310 |
| SFP-3G31SR-2 | 3Gb/s SFP Transceiver, Duplex LC, 2km over OS2 SMF | -3 | 2 | -18 | -3 | 1310 |
| SFP-6G31-10 | 6Gb/s SFP Transceiver, Duplex LC, 10km over OS2 SMF | -6 | 0 | -14 | -3 | 1310 |
| SFP-3G31DR-2 | 3Gb/s SFP Transceiver, Duplex LC, 2km over OS2 SMF | -20 | 6 | -20 | -3 | 1310 |

| Product | Description | Transmit Power (dBm) per lane | | Receive Power (dBm) per lane | | Transmit and Receive Wavelength (nm) |
|----------------------|---|-------------------------------|---------|------------------------------|---------|--------------------------------------|
| | | Minimum | Maximum | Minimum | Maximum | |
| SFP-3G31DT-20 | 3Gb/s SFP Transceiver, Duplex LC, 20km over OS2 SMF | -3 | 2 | -18 | -3 | 1310 |
| SFP-3G31ST-20 | 3Gb/s SFP Transceiver, Duplex LC, 20km over OS2 SMF | -5 | 0 | -18 | -3 | 1310 |
| SFP-3G31DR-20 | 3Gb/s SFP Transceiver, Duplex LC, 20km over OS2 SMF | -20 | 6 | -20 | -3 | 1310 |
| SFP-3G31SR-20 | 3Gb/s SFP Transceiver, Duplex LC, 20km over OS2 SMF | -3 | 2 | -18 | -3 | 1310 |
| SFP-3G31-20 | 3Gb/s SFP Transceiver, Duplex LC, 20km over OS2 SMF | -5 | 0 | -18 | -3 | 1310 |
| SFP-3G55ST-40 | 3Gb/s SFP Transceiver, Duplex LC, 40km over OS2 SMF | -3 | 2 | -18 | -3 | 1550 |
| SFP-3G31DT-40 | 3Gb/s SFP Transceiver, Duplex LC, 40km over OS2 SMF | -3 | 2 | -18 | -3 | 1310 |
| SFP-3G31ST-40 | 3Gb/s SFP Transceiver, Duplex LC, 40km over OS2 SMF | -3 | 2 | -18 | -3 | 1310 |
| SFP-3G31DR-40 | 3Gb/s SFP Transceiver, Duplex LC, 40km over OS2 SMF | -20 | -6 | -20 | -3 | 1310 |
| SFP-3G31SR-40 | 3Gb/s SFP Transceiver, Duplex LC, 40km over OS2 SMF | -3 | 2 | -18 | -3 | 1310 |
| SFP-3G55DT-40 | 3Gb/s SFP Transceiver, Duplex LC, 40km over OS2 SMF | -3 | 2 | -18 | -3 | 1550 |

| Product | Description | Transmit Power (dBm) per lane | | Receive Power (dBm) per lane | | Transmit and Receive Wavelength (nm) |
|----------------------|---|-------------------------------|---------|------------------------------|---------|--------------------------------------|
| | | Minimum | Maximum | Minimum | Maximum | |
| SFP-3G55DR-40 | 3Gb/s SFP Transceiver, Duplex LC, 40km over OS2 SMF | -20 | 6 | -20 | -3 | 1550 |
| SFP-3G55SR-40 | 3Gb/s SFP Transceiver, Duplex LC, 40km over OS2 SMF | -3 | 2 | -18 | -3 | 1550 |
| SFP-3G31-2 | 3Gb/s SFP Transceiver, Duplex LC, 2km over OS2 SMF | -8 | 0 | -18 | -3 | 1310 |
| SFP-3G31-40 | 3Gb/s SFP Transceiver, Duplex LC, 40km over OS2 SMF | -3 | 2 | -18 | -3 | 1310 |
| SFP-3G55-40 | 3Gb/s SFP Transceiver, Duplex LC, 40km over OS2 SMF | -3 | 2 | -18 | -3 | 1550 |
| SFP-3G31ST-2 | 3Gb/s SFP Transceiver, Duplex LC, 2km over OS2 SMF | -8 | 0 | -18 | -3 | 1310 |

Table 4 shows the mechanical characteristics for the digital video optical modules.

Table 4. Mechanical specifications

| Parameter | Product | Weight |
|---|-----------------------------------|--------|
| Module dimension with pull tab | (H x W x D) 11.3 x 13.4 x 56.9 mm | |
| Module weight (Max) | Optical modules | 114 g |
| Video optical module operation temperature | 0 to 70° C | |
| Storage temperature | -40 to 85° C | |

Warranty

- Standard warranty: 5 years
- For more information for FS Returns & Refunds policy, visit <https://www.fs.com/policies/warranty.html> or https://www.fs.com/policies/day_return_policy.html

Ordering information

Table 5 provides the ordering information for the digital video optical modules.

Table 5. Ordering information

| Part number | Description |
|---------------------------------|---|
| Video optics modules | |
| BSFP-3G34-10 | 3Gb/s BiDi SFP Transceiver, Simplex LC, 10km over OS2 SMF |
| BSFP-3G35-10 | 3Gb/s BiDi SFP Transceiver, Simplex LC, 10km over OS2 SMF |
| BSFP-3G53-10 | 3Gb/s BiDi SFP Transceiver, Simplex LC, 10km over OS2 SMF |
| BSFP-3G43-10 | 3Gb/s BiDi SFP Transceiver, Simplex LC, 10km over OS2 SMF |
| BSFP-3G45-10 | 3Gb/s BiDi SFP Transceiver, Simplex LC, 10km over OS2 SMF |
| BSFP-3G54-10 | 3Gb/s BiDi SFP Transceiver, Simplex LC, 10km over OS2 SMF |
| BSFP-3G45-40 | 3Gb/s BiDi SFP Transceiver, Simplex LC, 40km over OS2 SMF |
| BSFP-3G54-40 | 3Gb/s BiDi SFP Transceiver, Simplex LC, 40km over OS2 SMF |
| CWDM-SFP3G-10 | 3Gb/s CWDM SFP Transceiver, Duplex LC, 10km over OS2 SMF |
| CWDM-SFP3G-40 | 3Gb/s CWDM SFP Transceiver, Duplex LC, 40km over OS2 SMF |
| CWDM-SFP3G-80 | 3Gb/s CWDM SFP Transceiver, Duplex LC, 80km over OS2 SMF |
| CWDM-SFP3GDR-10 | 3Gb/s CWDM SFP Transceiver, Duplex LC, 10km over OS2 SMF |
| CWDM-SFP3GDR-40 | 3Gb/s CWDM SFP Transceiver, Duplex LC, 40km over OS2 SMF |
| CWDM-SFP3GDT-40 | 3Gb/s CWDM SFP Transceiver, Duplex LC, 40km over OS2 SMF |
| CWDM-SFP3GST-10 | 3Gb/s CWDM SFP Transceiver, Duplex LC, 10km over OS2 SMF |

| Part number | Description |
|----------------------------------|--|
| Video optics modules | |
| CWDM-SFP3GSDT-10 | 3Gb/s CWDM SFP Transceiver, Duplex LC, 10km over OS2 SMF |
| CWDM-SFP3GSR-10 | 3Gb/s CWDM SFP Transceiver, Duplex LC, 10km over OS2 SMF |
| CWDM-SFP3GST-40 | 3Gb/s CWDM SFP Transceiver, Duplex LC, 40km over OS2 SMF |
| CWDM-SFP3GSR-40 | 3Gb/s CWDM SFP Transceiver, Duplex LC, 40km over OS2 SMF |
| SFP-12G31-10 | 12Gb/s SFP Transceiver, Duplex LC, 10km over OS2 SMF |
| SFP-12G31-20 | 12Gb/s SFP Transceiver, Duplex LC, 20km over OS2 SMF |
| SFP-3G31DT-2 | 3Gb/s SFP Transceiver, Duplex LC, 2km over OS2 SMF |
| SFP-6G31-20 | 6Gb/s SFP Transceiver, Duplex LC, 20km over OS2 SMF |
| SFP-3G31SR-2 | 3Gb/s SFP Transceiver, Duplex LC, 2km over OS2 SMF |
| SFP-6G31-10 | 6Gb/s SFP Transceiver, Duplex LC, 10km over OS2 SMF |
| SFP-3G31DR-2 | 3Gb/s SFP Transceiver, Duplex LC, 2km over OS2 SMF |
| SFP-3G31DT-20 | 3Gb/s SFP Transceiver, Duplex LC, 20km over OS2 SMF |
| SFP-3G31ST-20 | 3Gb/s SFP Transceiver, Duplex LC, 20km over OS2 SMF |
| SFP-3G31DR-20 | 3Gb/s SFP Transceiver, Duplex LC, 20km over OS2 SMF |
| SFP-3G31SR-20 | 3Gb/s SFP Transceiver, Duplex LC, 20km over OS2 SMF |
| SFP-3G31-20 | 3Gb/s SFP Transceiver, Duplex LC, 20km over OS2 SMF |
| SFP-3G55ST-40 | 3Gb/s SFP Transceiver, Duplex LC, 40km over OS2 SMF |
| SFP-3G31DT-40 | 3Gb/s SFP Transceiver, Duplex LC, 40km over OS2 SMF |
| SFP-3G31ST-40 | 3Gb/s SFP Transceiver, Duplex LC, 40km over OS2 SMF |
| SFP-3G31DR-40 | 3Gb/s SFP Transceiver, Duplex LC, 40km over OS2 SMF |
| SFP-3G31SR-40 | 3Gb/s SFP Transceiver, Duplex LC, 40km over OS2 SMF |

| Part number | Description |
|-------------------------------|---|
| Video optics modules | |
| SFP-3G55DT-40 | 3Gb/s SFP Transceiver, Duplex LC, 40km over OS2 SMF |
| SFP-3G55DR-40 | 3Gb/s SFP Transceiver, Duplex LC, 40km over OS2 SMF |
| SFP-3G55SR-40 | 3Gb/s SFP Transceiver, Duplex LC, 40km over OS2 SMF |
| SFP-3G31-2 | 3Gb/s SFP Transceiver, Duplex LC, 2km over OS2 SMF |
| SFP-3G31-40 | 3Gb/s SFP Transceiver, Duplex LC, 40km over OS2 SMF |
| SFP-3G55-40 | 3Gb/s SFP Transceiver, Duplex LC, 40km over OS2 SMF |
| SFP-3G31ST-2 | 3Gb/s SFP Transceiver, Duplex LC, 2km over OS2 SMF |

I Regulatory and standards compliance

Standards

- SFF-8472: Common Management Interface
- SMPTE 259M
- SMPTE 344M
- SMPTE 292M
- SMPTE 372M
- SMPTE 424M
- SMPTE ST-2081
- SMPTE ST-2082
- RoHS 6

Safety

- Modules are compliant with Laser Class 1 as defined in IEC 825

Table 6. Laser class for the QSFP28-100G optical modules

| Product | Laser class |
|---------------------|-------------|
| BSFP-3G34-10 | 1 |
| BSFP-3G35-10 | 1 |
| BSFP-3G53-10 | 1 |
| BSFP-3G43-10 | 1 |

| Product | Laser class |
|------------------|-------------|
| BSFP-3G45-10 | 1 |
| BSFP-3G54-10 | 1 |
| BSFP-3G45-40 | 1 |
| BSFP-3G54-40 | 1 |
| CWDM-SFP3G-10 | 1 |
| CWDM-SFP3G-40 | 1 |
| CWDM-SFP3G-80 | 1 |
| CWDM-SFP3GDR-10 | 1 |
| CWDM-SFP3GDR-40 | 1 |
| CWDM-SFP3GDT-40 | 1 |
| CWDM-SFP3GST-10 | 1 |
| CWDM-SFP3GSDT-10 | 1 |
| CWDM-SFP3GSR-10 | 1 |
| CWDM-SFP3GST-40 | 1 |
| CWDM-SFP3GSR-40 | 1 |
| SFP-12G31-10 | 1 |
| SFP-12G31-20 | 1 |
| SFP-3G31DT-2 | 1 |
| SFP-6G31-20 | 1 |
| SFP-3G31SR-2 | 1 |
| SFP-6G31-10 | 1 |
| SFP-3G31DR-2 | 1 |
| SFP-3G31DT-20 | 1 |
| SFP-3G31ST-20 | 1 |

| Product | Laser class |
|---------------|-------------|
| SFP-3G31DR-20 | 1 |
| SFP-3G31SR-20 | 1 |
| SFP-3G31-20 | 1 |
| SFP-3G55ST-40 | 1 |
| SFP-3G31DT-40 | 1 |
| SFP-3G31ST-40 | 1 |
| SFP-3G31DR-40 | 1 |
| SFP-3G31SR-40 | 1 |
| SFP-3G55DT-40 | 1 |
| SFP-3G55DR-40 | 1 |
| SFP-3G55SR-40 | 1 |
| SFP-3G31-2 | 1 |
| SFP-3G31-40 | 1 |
| SFP-3G55-40 | 1 |
| SFP-3G31ST-2 | 1 |

Additional information

For more information about digital video transceiver modules, contact your account manager or visit <https://www.fs.com/c/fiber-optic-transceivers-9>

Document history

| New or revised topic | Described in | Date |
|--|--------------|------------|
| Digital Video Transceiver Modules Data Sheet | Updated all | 10/10/2022 |

Shenzhen (China)

Address: 24F, Yingfeng Center, Haitian 2nd Rd,
Nanshan District, Shenzhen
Tel: +86 400 865 2852
Email: sales@feisu.com

Delaware (United States)

Address: 380 Centerpoint Blvd, New Castle,
DE 19720, United States
Tel: +1 (888) 468 9910
Email: us@fs.com

Munich (Germany)

Address: NOVA Gewerbepark Building 7, Am
Gfild 7,85375 Neufahrn bei Munich, Germany
Tel: +49 (0) 8131 377 3008
Email: de@fs.com

Singapore

Address: 30A Kallang Pl, #11-10/11/12 Singapore
339213
Tel: +65 3138 1992
Email: sg@fs.com

Wuhan (China)

Address: 9-14F, Optical Valley Software Park
A7, Guanshan Ave, Wuhan
Tel: +86 400 865 2852
Email: sales@feisu.com

Birmingham (United Kingdom)


Address: Regus Edmund House, 12-22 Newhall
Street, Birmingham, B3 3AS
Tel: +44 (0) 121 726 4775
Email: uk@fs.com

Melbourne (Australia)

Address: 57-59 Edison Rd, Dandenong South,
VIC 3175, Australia
Tel: +613 5909 9990
Email: au@fs.com

Tokyo (Japan)

Address: JS Progress Building, 4-1-23 Heiwajima,
Ota-ku, Tokyo 〒143-0006
Tel: +813 6897 9438
Email: jp@fs.com



FS has several offices around the world. Addresses, phone numbers are listed on the FS Website at https://www.fs.com/contact_us.html
FS and FS logo are trademarks or registered trademarks of FS in the U.S. and other countries.