

FHD Fiber Optical Splice Tray

PROVIDE A FLEXIBLE SYSTEM FOR MANAGING FIBER OPTIC SPLICES



FHD Fiber Optical Splice Tray

The fiber optical splice tray shall house and protect fiber optic splices, guarantee proper fiber cable management and bend radius control, and allow for clear labeling and logical organization of the fiber optic splices. The fiber optical splice tray can hold and protect up to 24/36 fusion splices within FHD series rack mount fiber enclosures.

The fiber optical splice tray is ideal for splicing fiber to factory-terminated pigtails and is suitable for applications where fusion splicing yields installation time and labor cost benefits.

Standards Compliance

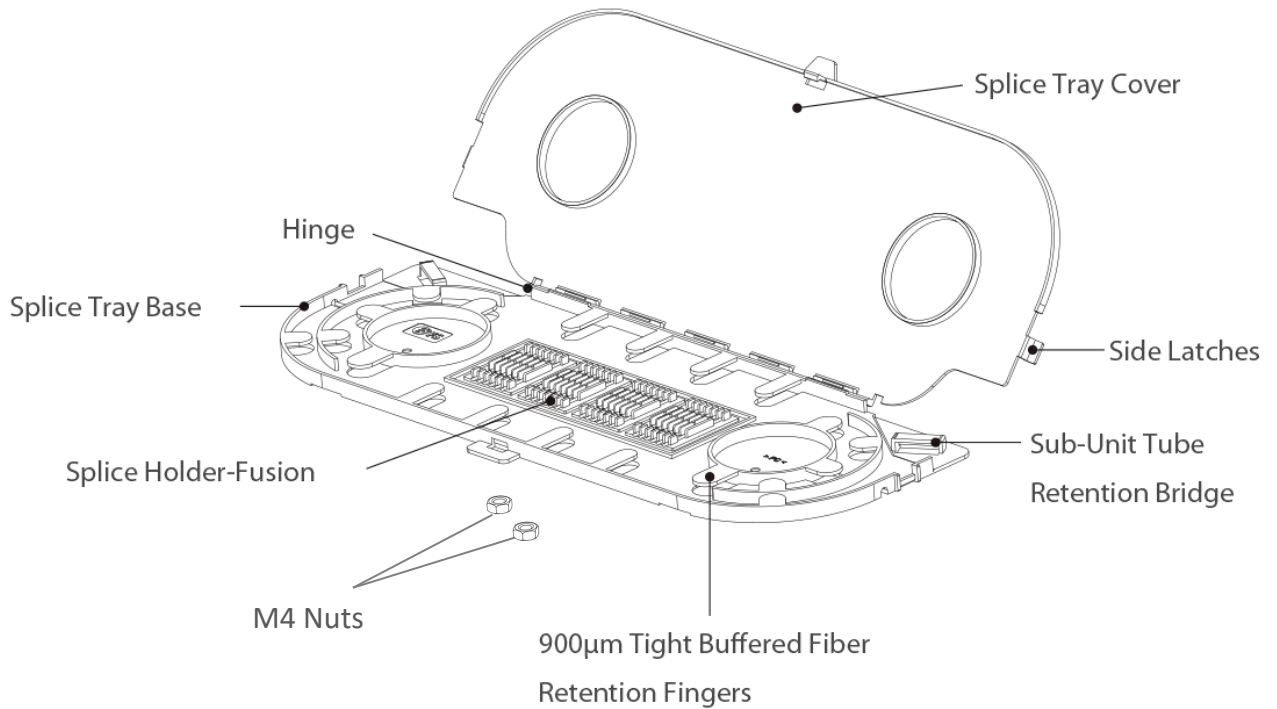
- RoHS Compliant
- ISO9001 Certificate

Features

- Houses up to 24/36 fusion splices
- Increased fiber splicing capacity
- Integral bend radius control
- Self-contained slacking and spooling
- Self-stacking trays with interlocking hinge
- Clear, hinged cover
- Fits in all FHD rack mount fiber enclosure

Product View

• 24F

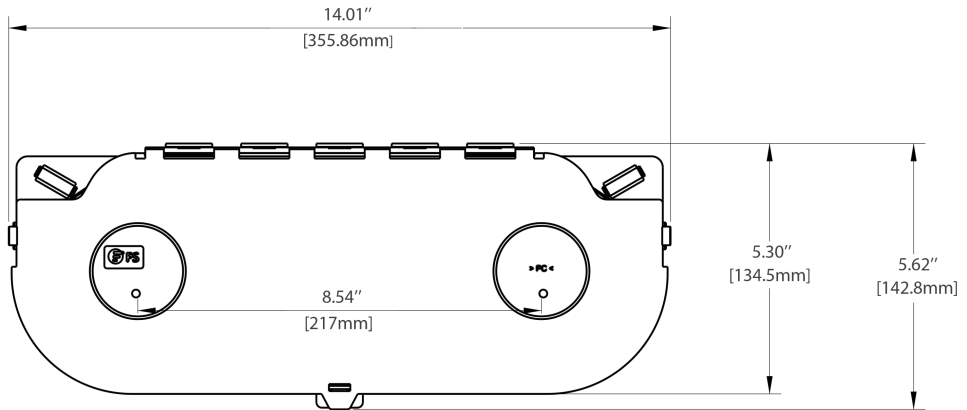


Product Specification		
ID	#64246	#189027
Capacity	24 Fibers	36 Fibers
Fiber Splice Jacket OD	≤0.9mm	≤0.9mm
Material	ABS, UL94 V0	ABS, UL94 V0
Working Temperature	-40 to 55°C (-40 to 131°F)	-40 to 55°C (-40 to 131°F)
Dimensions (HxWxD)	0.37"x14.01"x5.62" (9.4x355.86x142.8mm)	0.37"x14.01"x5.62" (9.4x355.86x142.8mm)
Application	Apply to FHD rack mount enclosures	Apply to FHD rack mount enclosures

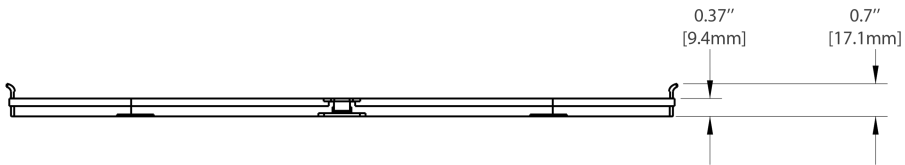
Technical Drawing

• 24F

Top View

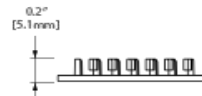
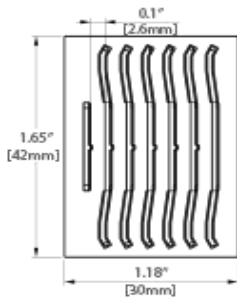


Front View

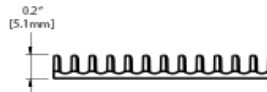
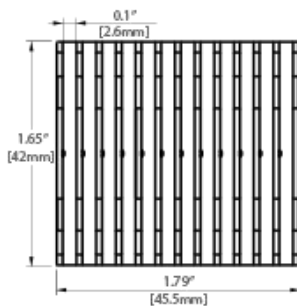


Splice Holder Dimension

• 24F



• 36F



Top View

Front View

Dimensions are in inches. (Dimensions in parentheses are in millimeters)

Matching Products List

Item No.	ID	Description
1	#96427	1U Rack Mount FHD High Density Fiber Enclosure
2	#70361	1U Rack Mount FHD High Density Slide-out Fiber Enclosure
3	#73205	2U Fibers Rack Mount FHD High Density Slide-out Fiber Enclosure
4	#73206	4U Rack Mount FHD High Density Slide-out Fiber Enclosure
5	#35488	12x LC Duplex, 24 Fibers OS2 Single Mode FHD Fiber Adapter Panel
6	#35484	6x SC Duplex, 12 Fibers OS2 Single Mode FHD Fiber Adapter Panel
7	#42459	1m (3ft) LC UPC 12 Fibers OS2 Single Mode Unjacketed Color-Coded Fiber Optic Pigtail
8	#42458	1m (3ft) SC UPC 12 Fibers OS2 Single Mode Unjacketed Color-Coded Fiber Optic Pigtail
9	#13663	1.2x40mm Fiber Optic Splice Protection Sleeve-Single Fiber, 100pcs/pkg

Rack Mount Fiber Enclosure	Fiber Capacities				
	Number of FAP Openings	Max. Number of Fibers	FHD-FOSMF Capacity	Max. Number of Fusion Splices (24F)	Max. Number of Fusion Splices (36F)
FHD-1UFMT-N	4	144	4	96	144
FHD-1UFCE	4	144	4	96	144
FHD-2UFCE	8	288	8	192	288
FHD-4UFCE	12	432	12	288	432
FHD-1U-CMP400	4	144	4	96	144
FHD-FPP5DRL	4	144	4	96	144