

# 10G BIDI XFP 1270nm-TX/1330nm-RX 10km Transceiver

XFP-10G-BX



## Application

- 10GBASE-LR/LW Ethernet
- SONET OC-192/SDH STM-64
- 1200-SM-LL-L 10G Fibre Channel

## Standards

- IEEE 802.3ae 10GBASE-LR
- XFP MSA

## Features

- Support 9.95Gb/s to 11.3Gb/s bit rates
- Hot Pluggable XFP footprint
- Single LC for Bi-directional Transmission
- Maximum link length of 10km
- Single 3.3V voltage supply
- Uncooled 1270nm CWDM DFB Laser
- Power dissipation < 2.5W
- No Reference Clock required
- Built-in digital diagnostic functions
- Temperature range 0° C to 70° C
- Very low EMI and excellent ESD protection
- RoHS Compliant

## Description

FS Bi-directional 10Gb/s (XFP) transceivers are compliant with the current XFP Multi-Source Agreement (MSA) Specification. They comply with 10-Gigabit Ethernet 10GBASE-LR/LW per IEEE 802.3ae, SONET OC-192 /SDH STM-64 and 10G Fibre Channel 1200-SM-LL-L. Digital diagnostics functions are available via a 2-wire serial interface, as specified in the XFP MSA.

## Products Specifications

### I. Absolute Maximum Ratings

Parameter	Symbol	Min.	Max.	Unit
Storage Temperature Range	$T_{ST}$	-40	85	°C
Supply Voltage	$V_{CC}$	-0.5	4.0	V

### II. Recommended Operating Conditions

Parameter	Symbol	Min.	Typical	Max.	Unit
Operating Temperature Range	$T_C$	0		70	°C
Power Supply Voltage	$V_{CC}$	3.13	3.3	3.45	V
Bit Rate	BR	9.95		11.3	Gb/s
Bit Error Rate	BER			$10^{-12}$	
Max. Supported Link Length	L			10	km

### III. Optical Characteristics

Parameter	Symbol	Min.	Typical	Max.	Unit	Notes
<b>Transmitter</b>						
Data Rate	B	9.95		11.3	Gbps	
Maximum Launch Power	$P_{max}$	-6		-1	dBm	1
Center Wavelength	$\lambda$	1260	1270	1280	nm	
Spectral Width	$\Delta\lambda$			1	nm	
Side Mode Suppression Ratio	$SMSR_{min}$	30			dB	
Average Launch Power of OFF Transmitter	$P_{OFF}$			-30	dBm	
Extinction Ratio	ER	3.5			dB	
Rise/Fall Time (20%~80%)	$T_r/T_f$			50	ps	
Tx Jitter	$T_{xj}$	Compliant with each standard requirements				
Optical Eye Mask			IEEE802.3ae			2
<b>Receiver</b>						
Data Rate	BR	9.95		11.3	Gbps	
Center Wavelength	$\lambda_C$	1320	1330	1340	nm	
Receiver Sensitivity	$R_{SEN}$			-14	dBm	2
Maximum Input Power	$P_{MAX}$	0			dBm	2
Receiver Reflectance	$R_{rx}$			-27	dB	

Parameter	Symbol	Min.	Typical	Max.	Unit	Notes
LOS	Optical Assert	LOS <sub>A</sub>	-30			dBm
	Optical Dessert	LOS <sub>D</sub>		-15		dBm
LOS Hysteresis	LOS <sub>H</sub>	0.5		5	dB	

#### Notes

1. The optical power is launched into SMF.
2. Measured with a PRBS 2<sup>31</sup>-1 test pattern @10.3125Gbps BER<10<sup>-12</sup>.

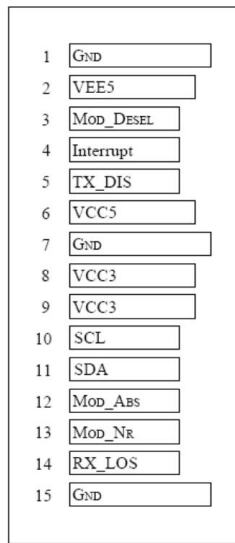
## IV. Electrical Characteristics

Parameter	Symbol	Min.	Typical	Max.	Unit	Notes
Supply Voltage	$V_{CC}$	3.13		3.45	V	
Supply Current	$I_{CC}$			500	mA	
Module Total Power	P			2.5	W	
<b>Transmitter</b>						
Input Differential Impedance	$R_{IN}$		100		$\Omega$	1
Differential Data Input Swing	$V_{IN,pp}$	150		820	mV	
Transmit Disable Voltage	$V_D$	2		$V_{CC}$	V	
Transmit Enable Voltage	$V_{EN}$	$G_{ND}$		$G_{ND}+0.8$	V	
Transmit Disable Assert Time	$T_{off}$			100	ms	
Tx Enable Assert Time	$T_{on}$			100	ms	
<b>Receiver</b>						
Differential Data Output Swing	$V_{out,pp}$	300	500	850	mV	
Output Rise Time	$t_{RISE}$			35	ps	2
Output Fall Time	$t_{FALL}$			35	ps	2
LOS Fault	$V_{LOSFT}$	$V_{CC} - 0.5$		$V_{CCHOST}$	V	3
LOS Normal	$V_{LOSNR}$	$G_{ND}$		$G_{ND}+0.5$	V	3
Power Supply Rejection	PSR		See Note 4 below			4

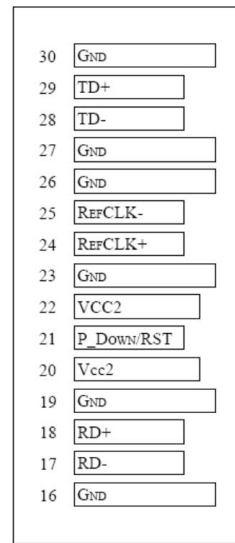
### Notes

1. After internal AC coupling.
2. 20 – 80 %
3. Loss Of Signal is open collector to be pulled up with a 4.7k – 10kohm resistor to 3.15 – 3.6V. Logic 0 indicates normal operation; logic 1 indicates no signal detected.
4. Per Section 2.7.1. in the XFP MSA Specification.

### V. Pin Description



Bottom of Board  
(As view through top of board)



Top of Board

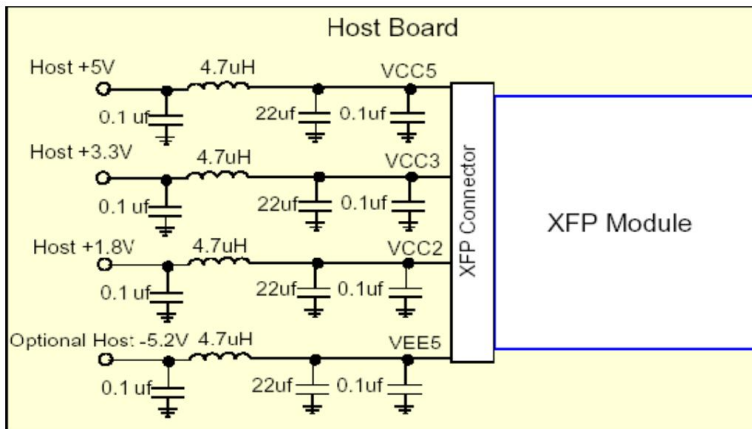
Pin Number	Logic	Symbol	Name/Description	Notes
1		G <sub>ND</sub>	Module Ground	1
2		V <sub>EE5</sub>	Optional -5.2 Power Supply – Not required	
3	LVTTTL-I	Mod-Desel	Module De-select; When held low allows the module to respond to 2-wire serial interface commands	
4	LVTTTL-O	Interrupt	Interrupt (bar); Indicates presence of an important condition which can be read over the serial 2-wire interface	2
5	LVTTTL-I	TX_DIS	Transmitter Disable; Transmitter laser source turned off	
6		V <sub>CC5</sub>	+5 Power Supply	
7		G <sub>ND</sub>	Module Ground	1
8		V <sub>CC3</sub>	+3.3V Power Supply	
9		V <sub>CC3</sub>	+3.3V Power Supply	
10	LVTTTL-I	SCL	Serial 2-wire interface clock	2
11	LVTTTL-I/O	SDA	Serial 2-wire interface data line	2
12	LVTTTL-O	Mod_Abs	Module Absent; Indicates module is not present. Grounded in the module	2
13	LVTTTL-O	Mod_NR	Module Not Ready	2
14	LVTTTL-O	RX_LOS	Receiver Loss of Signal indicator	2
15		G <sub>ND</sub>	Module Ground	1

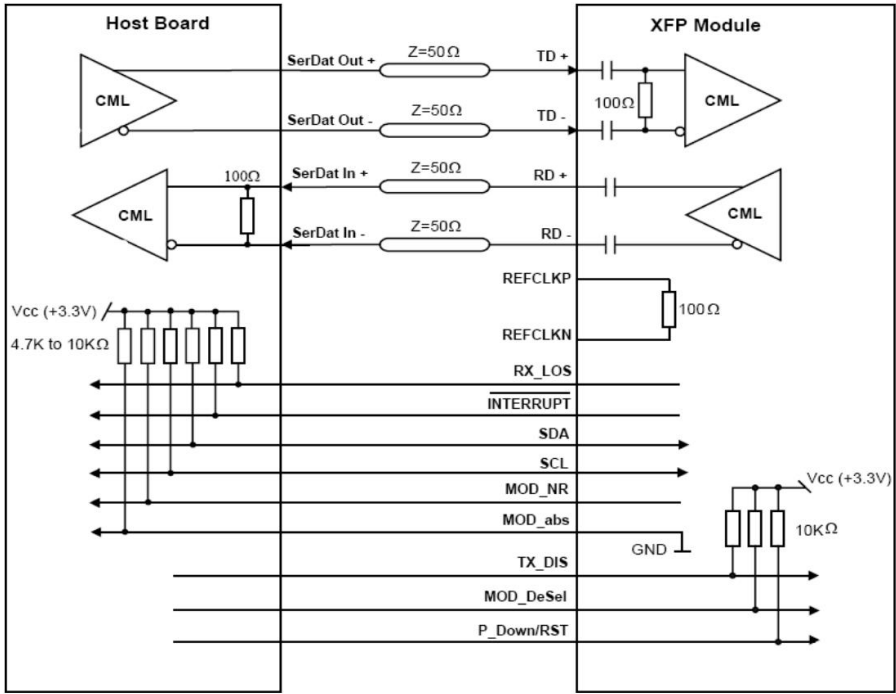
Pin Number	Logic	Symbol	Name/Description	Notes
16		G <sub>ND</sub>	Module Ground	1
17	CML-O	RD-	Receiver inverted data output	
18	CML-O	RD+	Receiver non-inverted data output	
19		G <sub>ND</sub>	Module Ground	1
20		V <sub>CC2</sub>	+1.8V Power Supply – Not required	
21	LVTTTL-I	P_Down/RST	Power Down; When high, places the module in the low power stand-by mode and on the falling edge of P_Down initiates a module reset Reset; The falling edge initiates a complete reset of the module including the 2-wire serial interface, equivalent to a power cycle	
22		V <sub>CC2</sub>	+1.8V Power Supply – Not required	
23		G <sub>ND</sub>	Module Ground	1
24	PECL-I	RefCLK+	Reference Clock non-inverted input, AC coupled on the host board – Not required	3
25	PECL-I	RefCLK-	Reference Clock inverted input, AC coupled on the host board –Not required	3
26		G <sub>ND</sub>	Module Ground	1
27		G <sub>ND</sub>	Module Ground	1
28	CML-I	TD-	Transmitter inverted data input	
29	CML-I	TD+	Transmitter non-inverted data input	
30		G <sub>ND</sub>	Module Ground	1

**Notes**

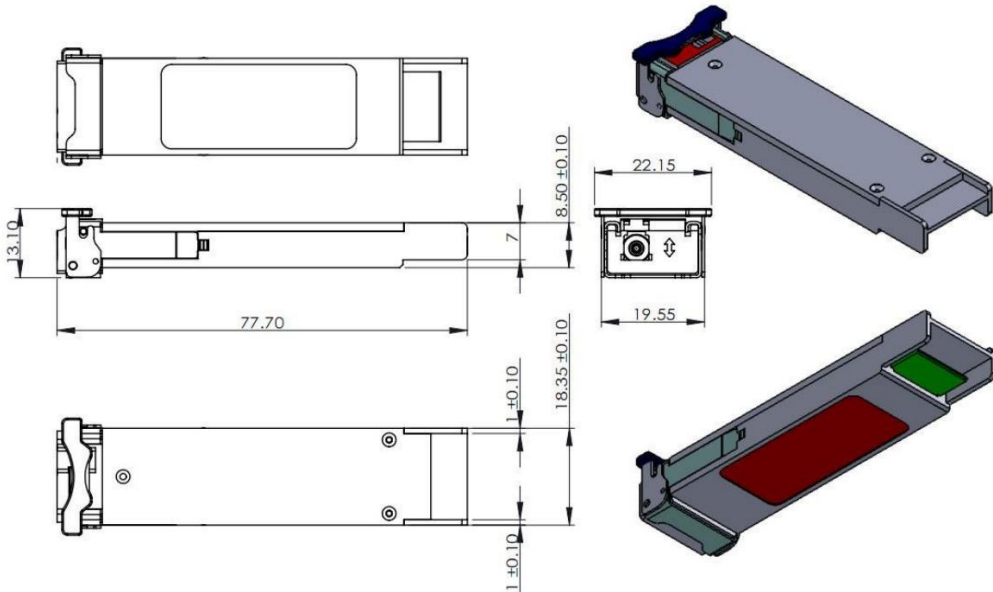
1. Module circuit ground is isolated from module chassis ground within the module.
2. Open collector; should be pulled up with 4.7k – 10k ohms on host board to a voltage between 3.15V and 3.45V.
3. A Reference Clock input is not required.

**VI. Typical Application Circuit**





## VII. Diagram Mechanical Drawing



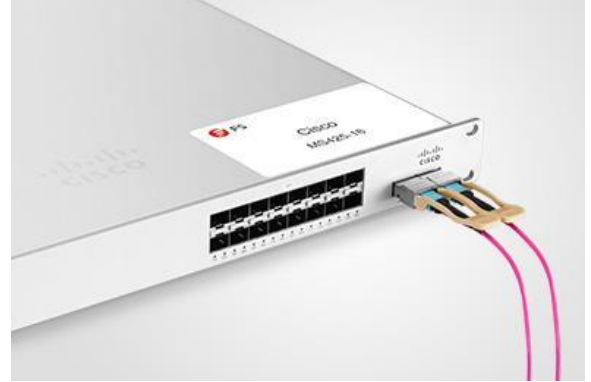
## Test Center

### I. Compatibility Testing

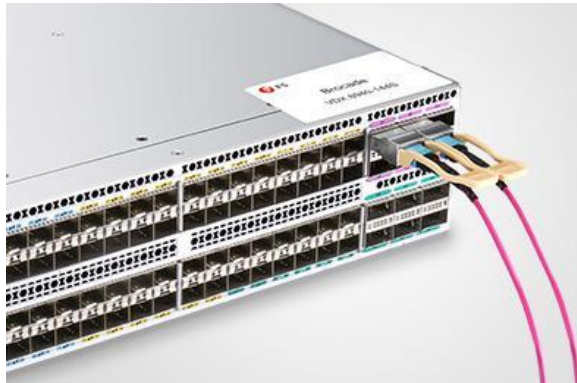
Each fiber optical transceiver has been tested in host device on site in FS Assured Program to ensure full compatibility with over 200 vendors.



Cisco Catalyst C9500-24Y4C



Cisco MS425-16



Brocade VDX 6940-144S



Dell EMC Networking Z9100-ON



Force@tm S60-44T

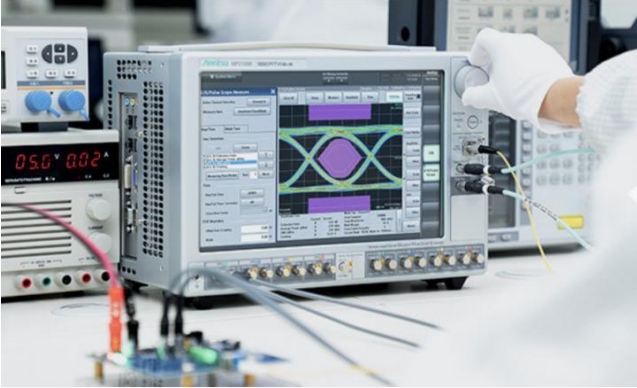


HUAWEI S6720-30L-HI-24S

Above is part of our test bed network equipment. For more information, please click the [Test Bed](#) PDF. It will be updated in real time as we expand our portfolio.

## II. Performance Testing

Each fiber optical transceiver has been fully tested in FS Assured Program equipped with world's most advanced analytical equipment to ensure that our transceivers work perfectly on your device.



### 1. TX/RX Signal Quality Testing

Equipped with the all-in-one tester integrated 4ch BERT & sampling oscilloscope, and variable optical attenuator to ensure the input and output signal quality.

- Eye Pattern Measurements: jitter, Mask Margin, etc
- Average Output Power
- OMA
- Extinction Ratio
- Receiver Sensitivity
- BER Curve

### 2. Reliability and Stability Testing

Subject the transceivers to dramatic changes in temperature on the thermal shock chamber to ensure reliability and stability of the transceivers.

- Commercial: 0 °C to 70 °C
- Extended: -5 °C to 85 °C
- Industrial: -40 °C to 85 °C



### 3. Transfer Rate and Protocol Testing

Test the actual transfer data rate and the transmission ability under different protocols with Network Master Pro.

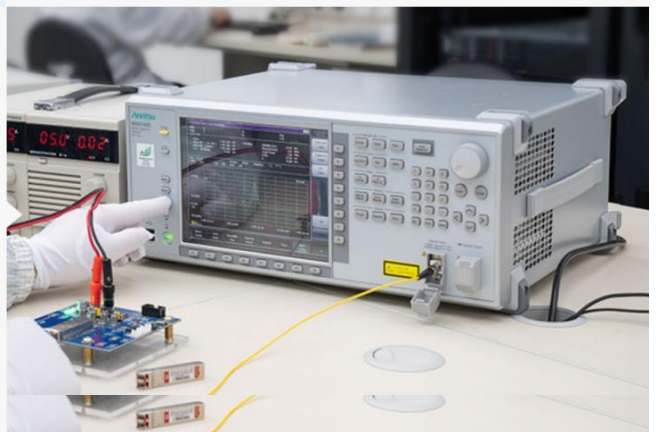
- Ethernet
- Fibre Channel
- SDH/SONET
- CPRI



### 4. Optical Spectrum Evaluation

Evaluate various important parameters with the Optical Spectrum Analyzer to meet the industry standards.

- Center Wavelength, Level
- OSNR
- SMSR
- Spectrum Width



## Order Information

Part Number	Description
XFP-10G-BX	XFP, BIDI, 10GBase, 1270nm-TX/1330nm-RX, SMF, 10km, LC, DOM
XFP-10G-BX	XFP, BIDI, 10GBase, 1330nm-TX/1270nm-RX, SMF, 10km, LC, DOM
XFP-10G-BX	XFP, BIDI, 10GBase, 1270nm-TX/1330nm-RX, SMF, 20km, LC, DOM
XFP-10G-BX	XFP, BIDI, 10GBase, 1330nm-TX/1270nm-RX, SMF, 20km, LC, DOM
XFP-10G-BX40	XFP, BIDI, 10GBase, 1270nm-TX/1330nm-RX, SMF, 40km, LC, DOM
XFP-10G-BX40	XFP, BIDI, 10GBase, 1330nm-TX/1270nm-RX, SMF, 40km, LC, DOM
XFP-10G-BX60	XFP, BIDI, 10GBase, 1270nm-TX/1330nm-RX, SMF, 60km, LC, DOM
XFP-10G-BX60	XFP, BIDI, 10GBase, 1330nm-TX/1270nm-RX, SMF, 60km, LC, DOM
XFP-10G-BX80	XFP, BIDI, 10GBase, 1270nm-TX/1330nm-RX, SMF, 80km, LC, DOM
XFP-10G-BX80	XFP, BIDI, 10GBase, 1330nm-TX/1270nm-RX, SMF, 80km, LC, DOM