A dark, monochromatic photograph of a server room with rows of server racks and overhead lighting. A red circle highlights the 'X' in the title text.

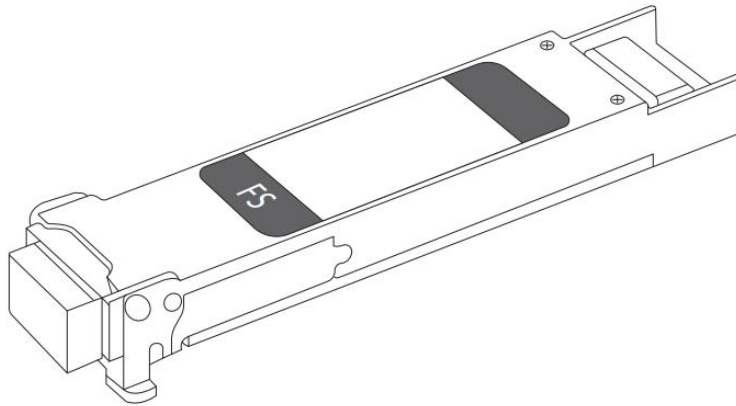
# 10G XFP/X2/XENPAK Transceiver Modules Data Sheet

# Contents

<b>Product overview</b>	<b>3</b>
<b>Features and benefits</b>	<b>3</b>
<b>Product specifications</b>	<b>10</b>
<b>Warranty</b>	<b>15</b>
<b>Ordering information</b>	<b>15</b>
<b>Regulatory and standards compliance</b>	<b>17</b>
<b>Additional information</b>	<b>19</b>
<b>Document history</b>	<b>19</b>

## Product overview

The FS XFP/X2/XENPAK Module (Figure 1) offers customers a variety of 10 Gigabit Ethernet and Packet-over-SONET/SDH (POS) connectivity options for data center, enterprise wiring closet, and service provider transport applications. (See Figure 1).



- XFP-10GLR-31
- XFP-10GSR-85
- X2-10GSR-85
- XPK-10GSR-85

**Figure 1.**  
XFP-10G Optical modules

## Features and benefits

- Hot-swappable input/output device plugs into a XFP/X2/XENPAK port
- Interoperable with respective 10GBASE XENPAK and X2, and SFP+ modules on the same link
- Certified and tested on Cisco, Arista, Juniper, Brocade 10G XFP/X2/XENPAK ports for superior performance, quality, and reliability. For more details, refer to the [FS Assured Program for Transceivers](#)
- High-speed electrical interface compliant to IEEE 802.3bm

Table 1 describes the 10G XFP/X2/XENPAK portfolio.

**Table 1. XFP/X2/XENPAK 10G portfolio**

Product	Description	Connector type
<b>XFP-10GLR-31</b>	10GBASE LR XFP Transceiver, LC, 10km over SMF	LC
<b>XFP-10GSR-85</b>	10GBASE SR XFP Transceiver, LC, 300m over SMF	LC
<b>X2-10GSR-85</b>	10GBASE SR X2 Transceiver, SC, 300m over MMF	SC

Product	Description	Connector type
<b>X2-10GLR-31</b>	10GBASE LR X2 Transceiver, SC, 10km over SMF	SC
<b>XPK-10GSR-85</b>	10GBASE SR XENPAK Transceiver, SC, 300m over MMF	SC
<b>XPK-10GLR-31</b>	10GBASE LR XENPAK Transceiver, SC, 10km over SMF	SC
<b>XFP-10GER-55</b>	10GBASE OC192IR XFP Transceiver, LC, 40km over SMF	LC
<b>XFP-10G-BX40D</b>	10GBASE BX40D XFP Transceiver, LC, 40km over SMF	LC
<b>XFP-10G-BX40U</b>	10GBASE BX40U XFP Transceiver, LC, 40km over SMF	LC
<b>XFP-10GZR-55</b>	10GBASE OC192LR XFP Transceiver, LC, 80km over SMF	LC
<b>XFP-10G-SM-LRM</b>	10GBASE LRM XFP Transceiver, LC, 2km over SMF	LC
<b>XFP-10G-BX20D</b>	10GBASE BX20D XFP Transceiver, LC, 20km over SMF	LC
<b>XFP-10G-BX20U</b>	10GBASE BX20U XFP Transceiver, LC, 20km over SMF	LC
<b>XFP-10G-BXD</b>	10GBASE BXD XFP Transceiver, LC, 10km over SMF	LC
<b>XFP-10G-BXU</b>	10GBASE BXU XFP Transceiver, LC, 10km over SMF	LC
<b>X2-10GER-55</b>	10GBASE ER X2 Transceiver, SC, 40km over SMF	SC
<b>DWDM-XFP10G-80</b>	10GBASE DWDM C30 XFP Transceiver, LC, 80km over SMF	LC
<b>DWDM-XFP10G-40</b>	10GBASE DWDM C37 XFP Transceiver, LC, 40km over SMF	LC
<b>CWDM-XFP10G-20S</b>	10GBASE CWDM 20S XFP Transceiver, LC, 20km over SMF	LC
<b>X2-10GSR-31</b>	10GBASE LRM X2 Transceiver, SC, 220m over MMF	SC
<b>CWDM-XFP10G-40M</b>	10GBASE CWDM XFP Transceiver, LC, 40km over SMF	LC
<b>X2-10GZR-55</b>	10GBASE ZR X2 Transceiver, SC, 80km over SMF	SC
<b>XFP-10G-MM-LRM</b>	10GBASE LRM XFP Transceiver, LC, 220m over MMF	LC
<b>XFP-10G-BX80U</b>	10GBASE BX80U XFP Transceiver, LC, 80km over SMF	LC
<b>XFP-10G-BX80D</b>	10GBASE BX80D XFP Transceiver, LC, 80km over SMF	LC
<b>XFP-10GZRC-55</b>	10GBASE ZRC XFP Transceiver, LC, 100km over SMF	LC

Product	Description	Connector type
<b>CWDM-XFP10G-80L</b>	10GBASE CWDM 80L XFP Transceiver, LC, 80km over SMF	LC
<b>XPK-10GER-55</b>	10GBASE ER XENPAK Transceiver, SC, 40km over SMF	SC
<b>XFP-10G-BX60D</b>	10GBASE BX60D XFP Transceiver, LC, 60km over SMF	LC
<b>XPK-10GZR-55</b>	10GBASE ZR XENPAK Transceiver, SC, 80km over SMF	SC
<b>XFP-10G-BX60U</b>	10GBASE BX60U XFP Transceiver, LC, 60km over SMF	LC

### **XFP-10GLR-31**

The XFP-10GLR-31 Module Small Form Factor 10Gb/s (XFP) transceivers are compliant with the current XFP Multi-Source Agreement (MSA) Specification. They comply with 10-Gigabit Ethernet 10GBASE-LR/LW per IEEE 802.3ae and 10G Fibre Channel 1200-SM-LL-L. Digital diagnostics functions are available via a 2-wire serial interface, as specified in the XFP MSA.

### **XFP-10GSR-85**

The XFP-10GSR-85 Module Small Form Factor 10Gb/s (XFP) transceivers are compliant with the current XFP Multi-Source Agreement (MSA) Specification. The high performance uncooled 850nm Vcsel transmitter and high sensitivity PIN receiver provide superior performance for 10G Fibre Channel and Ethernet applications up to 300m optical links.

### **X2-10GSR-85**

The X2 SR Module is a highly integrated, Serial optical transponder module for high-speed, 10Gbit/s data transmission applications. 4×3.125Gbps Ethernet Signal Input by XAUI Interface. An integrated Coder / Decoder and multiplexer / demultiplexer (SERDES: Serializer / Deserializer). Designing for 300m Transmission with a vertical cavity surface emitting laser (VCSEL). Digital diagnostics functions are available via a 2-wire serial interface, as specified in the XENPAK MSA 3.0.

### **X2-10GLR-31**

The X2 LR Module is a highly integrated, Serial optical transponder module for high-speed, 10Gbit/s data transmission applications. 4×3.125Gbps Ethernet Signal Input by XAUI Interface. An integrated Coder / Decoder and multiplexer / demultiplexer (SERDES: Serializer / Deserializer). Designing for 300m Transmission with a vertical cavity surface emitting laser (VCSEL). Digital diagnostics functions are available via a 2-wire serial interface, as specified in the XENPAK MSA 3.0.

### **XPK-10GSR-85**

The XPK-10GSR-85 Module Supports a link length of 26m on standard FDDI grade MMF. Up to 300m link lengths are possible when using 2000 MHz/km MMF (OM3). Up to 400m link lengths are possible when using 4700 MHz/km MMF (OM4).

### **XPK-10GLR-31**

The XPK-10GLR-31 Module offer customers a wide variety of 10 Gigabit Ethernet connectivity options for data center, enterprise wiring closet, and service provider transport applications.

### **XFP-10GER-55**

The XFP-10GER-55 Module is compliant with the current XFP Multi-Source Agreement (MSA) Specification. The high performance cooled 1550nm EML transmitter and high sensitivity PIN receiver provide superior performance for SONET/SDH and Ethernet applications up to 40km optical links.

### **XFP-10G-BX40**

The XFP-10G-BX40 Module is compliant with the current XFP Multi-Source Agreement (MSA) Specification. They comply with 10-Gigabit Ethernet 10GBASE-ER/EW per IEEE 802.3ae, SONET OC-192 /SDH STM-64 and 10G Fibre Channel 1200-SM-LL-L. Digital diagnostics functions are available via a 2-wire serial interface, as specified in the XFP MSA.

### **XFP-10GZR-55**

The XFP-10GZR-55 Module supports up to 80km link lengths over SMF via an LC duplex connector. The transceiver is compliant with CPRI, eCPRI. Digital diagnostics functions are available via a 2-wire serial interface, as specified in the XFPMSA. With these features, this 10G SFP+ transceiver is ideal for data centers, 10G fibre channel, legacy FDDI multimode links, etc.

### **XFP-10G-SM-LRM**

The XFP-10G-SM-LRM Module is compliant with the current XFP Multi-Source Agreement (MSA) Specification. They comply with 10-Gigabit Ethernet 10GBASE-LR /LW per IEEE 802.3ae and 10G Fibre Channel 1200-SM-LL-L. Digital diagnostics functions are available via a 2-wire serial interface, as specified in the XFP MSA.

### **XFP-10G-BX**

The XFP-10G-BX Module is compliant with the current XFP Multi-Source Agreement (MSA) Specification. They comply with 10-Gigabit Ethernet 10GBASE-LR/LW per IEEE 802.3ae, SONET OC-192 /SDH STM-64 and 10G Fibre Channel 1200-SM-LL-L. Digital diagnostics functions are available via a 2-wire serial interface, as specified in the XFP MSA.

## DWDM-XFP10G-80

The DWDM-XFP10G-80 Module is compliant with the current XFP Multi-Source Agreement (MSA) Specification. The high performance cooled DWDM EML transmitter and high sensitivity APD receiver provide superior performance for SONET/SDH and Ethernet applications up to 80km optical links.

## DWDM-XFP10G-40

The DWDM-XFP10G-40 Module is compliant with the current XFP Multi-Source Agreement (MSA) Specification. The high performance cooled DWDM EML transmitter and high sensitivity APD receiver provide superior performance for SONET/SDH and Ethernet applications up to 40km optical links.

## CWDM-XFP10G-20S

The CWDM-XFP10G-20S Module is compliant with the current XFP Multi-Source Agreement (MSA) Specification. The high performance cooled DWDM EML transmitter and high sensitivity APD receiver provide superior performance for SONET/SDH and Ethernet applications up to 20km optical links.

## X2-10GSR-31

The X2-10GSR-31 Module is a highly integrated, Serial optical transponder module for high-speed, 10Gbit/s data transmission applications. 4×3.125Gbps Ethernet Signal Input by XAUI Interface. An integrated Coder / Decoder and multiplexer / demultiplexer (SERDES: Serializer / Deserializer). Designing for 300m Transmission with a vertical cavity surface emitting laser (VCSEL). Digital diagnostics functions are available via a 2-wire serial interface, as specified in the XENPAK MSA 3.0.

## CWDM-XFP10G-40M

The CWDM-XFP10G-40M Small Form Factor 10Gb/s (XFP) Module is compliant with the current XFP Multi-Source Agreement (MSA) Specification. The high performance cooled CWDM DFB transmitter and high sensitivity PIN receiver provide superior performance for SONET/SDH and Ethernet applications up to 40km optical links.

## X2-10GZR-55

The X2-10GZR-55 Module offer customers a wide variety of 10 Gigabit Ethernet connectivity options for data center, enterprise wiring closet, and service provider transport applications.

## X2-10GER-55

The X2-10GER-55 Module offer customers a wide variety of 10 Gigabit Ethernet connectivity options for data center, enterprise wiring closet, and service provider transport applications.

## **XFP-10G-MM-LRM**

The XFP-10G-MM-LRM Module supports up to 220m link lengths over OM3 MMF via an LC duplex connector. The transceiver is compliant with CPRI, eCPRI. Digital diagnostics functions are available via a 2-wire serial interface, as specified in the XFP MSA. With these features, this 10G SFP+ transceiver is ideal for data centers, 10G fibre channel, legacy FDDI multimode links, etc.

## **XFP-10G-BX80**

The XFP-10G-BX80 Module is compliant with the current XFP Multi-Source Agreement (MSA) Specification. They comply with 10-Gigabit Ethernet 10GBASE-ZR/ZW per IEEE 802.3ae, SONET OC-192 /SDH STM-64 and 10G Fibre Channel 1200-SM-LL-L. Digital diagnostics functions are available via a 2-wire serial interface, as specified in the XFP MSA.

## **XFP-10GZRC-55**

The XFP-10GZRC-55 Module is compliant with the current XFP Multi-Source Agreement (MSA) Specification. The high performance cooled EML transmitter and high sensitivity APD receiver provide superior performance for SONET/SDH and Ethernet applications up to 100km optical links.

## **CWDM-XFP10G-80L**

The CWDM-XFP10G-80L Module is compliant with the current XFP Multi-Source Agreement (MSA) Specification. The high performance cooled CWDM EML transmitter and high sensitivity APD receiver provide superior performance for SONET/SDH and Ethernet applications up to 80km optical links.

## **XPK-10GER-55**

The XPK-10GER-55 Module offer customers a wide variety of 10 Gigabit Ethernet connectivity options for data center, enterprise wiring closet, and service provider transport applications.

## **XFP-10G-BX60**

The XFP-10G-BX60 Module is compliant with the current XFP Multi-Source Agreement (MSA) Specification. They comply with 10-Gigabit Ethernet 10GBASE-ER/EW per IEEE 802.3ae, SONET OC-192 /SDH STM-64 and 10G Fibre Channel 1200-SM-LL-L. Digital diagnostics functions are available via a 2-wire serial interface, as specified in the XFP MSA.

## **XPK-10GZR-55**

The XPK-10GZR-55 Module offer customers a wide variety of 10 Gigabit Ethernet connectivity options for data center, enterprise wiring closet, and service provider transport applications.

## **XFP-10G-BX60**

The XFP-10G-BX60 Module is compliant with the current XFP Multi-Source Agreement (MSA) Specification. They comply with 10-Gigabit Ethernet 10GBASE-ER/EW per IEEE 802.3ae, SONET OC-192 /SDH STM-64 and 10G Fibre Channel 1200-SM-LL-L. Digital diagnostics functions are available via a 2-wire serial interface, as specified in the XFP MSA.

## Product Specifications

Table 2 shows the key electrical characteristics for the 10G XFP/X2/XENPAK modules.

**Table 2. Electrical specifications**

Product	Description	Nominal data rate (Gbs)	Digital Optical Monitoring Support	Link meter
<b>XFP-10GLR-31</b>	10GBASE LR XFP Transceiver, LC, 10km over SMF	10Gbps	Yes	10km
<b>XFP-10GSR-85</b>	10GBASE SR XFP Transceiver, LC, 300m over SMF	10Gbps	Yes	300m
<b>X2-10GSR-85</b>	10GBASE SR X2 Transceiver, SC, 300m over MMF	10Gbps	Yes	300m
<b>X2-10GLR-31</b>	10GBASE LR X2 Transceiver, SC, 10km over SMF	10Gbps	Yes	10km
<b>XPK-10GSR-85</b>	10GBASE SR XENPAK Transceiver, SC, 300m over MMF	10Gbps	Yes	300m
<b>XPK-10GLR-31</b>	10GBASE LR XENPAK Transceiver, SC, 10km over SMF	10Gbps	Yes	10km
<b>XFP-10GER-55</b>	10GBASE OC192IR XFP Transceiver, LC, 40km over SMF	10Gbps	Yes	40km
<b>XFP-10G-BX40D</b>	10GBASE BX40D XFP Transceiver, LC, 40km over SMF	10Gbps	Yes	40km
<b>XFP-10G-BX40U</b>	10GBASE BX40U XFP Transceiver, LC, 40km over SMF	10Gbps	Yes	40km
<b>XFP-10GZR-55</b>	10GBASE OC192LR XFP Transceiver, LC, 80km over SMF	10Gbps	Yes	80km
<b>XFP-10G-SM-LRM</b>	10GBASE LRM XFP Transceiver, LC, 2km over SMF	10Gbps	Yes	2km
<b>XFP-10G-BXD</b>	10GBASE BX20D XFP Transceiver, LC, 20km over SMF	10Gbps	Yes	20km
<b>XFP-10G-BXU</b>	10GBASE BX20U XFP Transceiver, LC, 20km over SMF	10Gbps	Yes	20km
<b>XFP-10G-BXD</b>	10GBASE BXD XFP Transceiver, LC, 10km over SMF	10Gbps	Yes	10km
<b>XFP-10G-BXU</b>	10GBASE BXU XFP Transceiver, LC, 10km over SMF	10Gbps	Yes	10km

Product	Description	Nominal data rate (Gbps)	Digital Optical Monitoring Support	Link meter
<b>X2-10GER-55</b>	10GBASE ER X2 Transceiver, SC, 40km over SMF	10Gbps	Yes	40km
<b>DWDM-XFP10G-80</b>	10GBASE DWDM C30 XFP Transceiver, LC, 80km over SMF	10Gbps	Yes	80km
<b>DWDM-XFP10G-40</b>	10GBASE DWDM C37 XFP Transceiver, LC, 40km over SMF	10Gbps	Yes	40km
<b>CWDM-XFP10G-20S</b>	10GBASE CWDM 20S XFP Transceiver, LC, 20km over SMF	10Gbps	Yes	20km
<b>X2-10GSR-31</b>	10GBASE LRM X2 Transceiver, SC, 220m over MMF	10Gbps	Yes	220m
<b>CWDM-XFP10G-40M</b>	10GBASE CWDM XFP Transceiver, LC, 40km over SMF	10Gbps	Yes	40km
<b>X2-10GZR-55</b>	10GBASE ZR X2 Transceiver, SC, 80km over SMF	10Gbps	Yes	80km
<b>XFP-10G-MM-LRM</b>	10GBASE LRM XFP Transceiver, LC, 220m over MMF	10Gbps	Yes	220m
<b>XFP-10G-BX80U</b>	10GBASE BX80U XFP Transceiver, LC, 80km over SMF	10Gbps	Yes	80km
<b>XFP-10G-BX80D</b>	10GBASE BX80D XFP Transceiver, LC, 80km over SMF	10Gbps	Yes	80km
<b>XFP-10GZRC-55</b>	10GBASE ZRC XFP Transceiver, LC, 100km over SMF	10Gbps	Yes	100km
<b>CWDM-XFP10G-80L</b>	10GBASE CWDM 80L XFP Transceiver, LC, 80km over SMF	10Gbps	Yes	80km
<b>XPK-10GER-55</b>	10GBASE ER XENPAK Transceiver, SC, 40km over SMF	10Gbps	Yes	40km
<b>XFP-10G-BX60D</b>	10GBASE BX60D XFP Transceiver, LC, 60km over SMF	10Gbps	Yes	60km
<b>XPK-10GZR-55</b>	10GBASE ZR XENPAK Transceiver, SC, 80km over SMF	10Gbps	Yes	80km
<b>XFP-10G-BX60U</b>	10GBASE BX60U XFP Transceiver, LC, 60km over SMF	10Gbps	Yes	60km

Table 3 shows the key optical characteristics for the 10G XFP/X2/XENPAK modules.

**Table 3. Optical specifications**

Product	Description	Transmit Power (dBm) per lane		Receive Power (dBm) per lane		Transmit and Receive Wavelength (nm)
		Minimum	Maximum	Minimum	Maximum	
<b>XFP-10GLR-31</b>	10GBASE LR XFP Transceiver, LC, 10km over SMF	-6	0	-12.6	0	1310nm
<b>XFP-10GSR-85</b>	10GBASE SR XFP Transceiver, LC, 300m over SMF	-3.5	5.3	-11.1	0	850nm
<b>X2-10GSR-85</b>	10GBASE SR X2 Transceiver, SC, 300m over MMF	-7.3	1.2	-11.1	0.5	850nm
<b>X2-10GLR-31</b>	10GBASE LR X2 Transceiver, SC, 10km over SMF	-8.2	0.5	-14.4	0.5	1310nm
<b>XPK-10GSR-85</b>	10GBASE SR XENPAK Transceiver, SC, 300m over MMF	-7.3	-1	-	-10	850nm
<b>XPK-10GLR-31</b>	10GBASE LR XENPAK Transceiver, SC, 10km over SMF	-8.2	0.5	-	-15	1310nm
<b>XFP-10GER-55</b>	10GBASE OC192IR XFP Transceiver, LC, 40km over SMF	0	4	-16	-3	1550nm
<b>XFP-10G-BX40D</b>	10GBASE BX40D XFP Transceiver, LC, 40km over SMF	1	5	-15	0	1330nm-TX/1270nm-RX
<b>XFP-10G-BX40U</b>	10GBASE BX40U XFP Transceiver, LC, 40km over SMF	1	5	-15	0	1270nm-TX/1330nm-RX
<b>XFP-10GZR-55</b>	10GBASE OC192LR XFP Transceiver, LC, 80km over SMF	0	4	-24	-8	1550nm
<b>XFP-10G-SM-LRM</b>	10GBASE LRM XFP Transceiver, LC, 2km over SMF	-6.5	0.5	-12.6	0	1310nm
<b>XFP-10G-BX20D</b>	10GBASE BX20D XFP Transceiver, LC, 20km over SMF	1	5	-14	0	1330nm-TX/1270nm-RX

Product	Description	Transmit Power (dBm) per lane		Receive Power (dBm) per lane		Transmit and Receive Wavelength (nm)
		Minimum	Maximum	Minimum	Maximum	
<b>XFP-10G-BX20U</b>	10GBASE BX20U XFP Transceiver, LC, 20km over SMF	-2	3	-14	0	1270nm-TX/1330nm-RX
<b>XFP-10G-BXD</b>	10GBASE BXD XFP Transceiver, LC, 10km over SMF	-5	0	-14	0	1330nm-TX/1270nm-RX
<b>XFP-10G-BXU</b>	10GBASE BXU XFP Transceiver, LC, 10km over SMF	-5	0	-14	0	1270nm-TX/1330nm-RX
<b>X2-10GER-55</b>	10GBASE ER X2 Transceiver, SC, 40km over SMF	-4.7	4	-	-15.8	1550nm
<b>DWDM-XFP10G-80</b>	10GBASE DWDM C30 XFP Transceiver, LC, 80km over SMF	-1	4	-24	-7	1553.33nm
<b>DWDM-XFP10G-40</b>	10GBASE DWDM C37 XFP Transceiver, LC, 40km over SMF	-1	4	-	-15	1547.72nm
<b>CWDM-XFP10G-20S</b>	10GBASE CWDM 20S XFP Transceiver, LC, 20km over SMF	-5	0	-	-15	1370nm
<b>X2-10GSR-31</b>	10GBASE LRM X2 Transceiver, SC, 220m over MMF	-6.5	0.5	-	-14.4	1310nm
<b>CWDM-XFP10G-40M</b>	10GBASE CWDM XFP Transceiver, LC, 40km over SMF	-0.9	4	-15	-1	1430nm
<b>X2-10GZR-55</b>	10GBASE ZR X2 Transceiver, SC, 80km over SMF	0	4	-	-24	1550nm
<b>XFP-10G-MM-LRM</b>	10GBASE LRM XFP Transceiver, LC, 220m over MMF	-6.5	0.5	-11.1	0	1310nm
<b>XFP-10G-BX80U</b>	10GBASE BX80U XFP Transceiver, LC, 80km over SMF	1	5	-22	-7	1270nm-TX/1330nm-RX

Product	Description	Transmit Power (dBm) per lane		Receive Power (dBm) per lane		Transmit and Receive Wavelength (nm)
		Minimum	Maximum	Minimum	Maximum	
<b>XFP-10G-BX80D</b>	10GBASE BX80D XFP Transceiver, LC, 80km over SMF	1	5	-22	-7	1330nm-TX/1270nm-RX
<b>XFP-10GZRC-55</b>	10GBASE ZRC XFP Transceiver, LC, 100km over SMF	0	5	-24.5	-7	1550nm
<b>CWDM-XFP10G-80L</b>	10GBASE CWDM 80L XFP Transceiver, LC, 80km over SMF	0	4	-23	-7	1470nm
<b>XPK-10GER-55</b>	10GBASE ER XENPAK Transceiver, SC, 40km over SMF	-3	2	-	-16	1550nm
<b>XFP-10G-BX60D</b>	10GBASE BX60D XFP Transceiver, LC, 60km over SMF	1	5	-20	-7	1330nm-TX/1270nm-RX
<b>XPK-10GZR-55</b>	10GBASE ZR XENPAK Transceiver, SC, 80km over SMF	0	4	-	-23	1550nm
<b>XFP-10G-BX60U</b>	10GBASE BX60U XFP Transceiver, LC, 60km over SMF	1	5	-20	-7	1270nm-TX/1330nm-RX

Table 4 shows the mechanical characteristics for the 10G XFP/X2/XENPAK modules.

**Table 4. Mechanical specifications**

Parameter	Product	Weight
<b>Module dimension with pull tab</b>	XFP-10GLR-31	(HxWxD)13x22.15x77.7mm
	X2-10GSR-85	(HxWxD)19.4x42x91.1mm
	XPK-10GSR-85	(HxWxD)22.4x51.3x121mm
<b>Module weight (Max)</b>	Optical modules	128g

Parameter	Product	Weight
10G XFP/X2/XENPAK module operation temperature	0 to 70° C	
Storage temperature	-40 to 85° C	

## Warranty

- Standard warranty: 5 years
- For more information for FS Returns & Refunds policy, visit <https://www.fs.com/policies/warranty.html> or [https://www.fs.com/policies/day\\_return\\_policy.html](https://www.fs.com/policies/day_return_policy.html)

## Ordering information

Table 5 provides the ordering information for 10G XFP/X2/XENPAK modules and related cables.

Table 5. Ordering information

Part number	Description
<b>10G XFP/X2/XENPAK optics modules</b>	
<a href="#">XFP-10GLR-31</a>	10GBASE LR XFP Transceiver, LC, 10km over SMF
<a href="#">XFP-10GSR-85</a>	10GBASE SR XFP Transceiver, LC, 300m over SMF
<a href="#">X2-10GSR-85</a>	10GBASE SR X2 Transceiver, SC, 300m over MMF
<a href="#">X2-10GLR-31</a>	10GBASE LR X2 Transceiver, SC, 10km over SMF
<a href="#">XPK-10GSR-85</a>	10GBASE SR XENPAK Transceiver, SC, 300m over MMF
<a href="#">XPK-10GLR-31</a>	10GBASE LR XENPAK Transceiver, SC, 10km over SMF
<a href="#">XFP-10GER-55</a>	10GBASE OC192IR XFP Transceiver, LC, 40km over SMF
<a href="#">XFP-10G-BX40D</a>	10GBASE BX40D XFP Transceiver, LC, 40km over SMF

Part number	Description
<b>10G XFP/X2/XENPAK optics modules</b>	
<a href="#">XFP-10G-BX40U</a>	10GBASE BX40U XFP Transceiver, LC, 40km over SMF
<a href="#">XFP-10GZR-55</a>	10GBASE OC192LR XFP Transceiver, LC, 80km over SMF
<a href="#">XFP-10G-SM-LRM</a>	10GBASE LRM XFP Transceiver, LC, 2km over SMF
<a href="#">XFP-10G-BX20D</a>	10GBASE BX20D XFP Transceiver, LC, 20km over SMF
<a href="#">XFP-10G-BX20U</a>	10GBASE BX20U XFP Transceiver, LC, 20km over SMF
<a href="#">XFP-10G-BXD</a>	10GBASE BXD XFP Transceiver, LC, 10km over SMF
<a href="#">XFP-10G-BXU</a>	10GBASE BXU XFP Transceiver, LC, 10km over SMF
<a href="#">X2-10GER-55</a>	10GBASE ER X2 Transceiver, SC, 40km over SMF
<a href="#">DWDM-XFP10G-80</a>	10GBASE DWDM C30 XFP Transceiver, LC, 80km over SMF
<a href="#">DWDM-XFP10G-40</a>	10GBASE DWDM C37 XFP Transceiver, LC, 40km over SMF
<a href="#">CWDM-XFP10G-20S</a>	10GBASE CWDM 20S XFP Transceiver, LC, 20km over SMF
<a href="#">X2-10GSR-31</a>	10GBASE LRM X2 Transceiver, SC, 220m over MMF
<a href="#">CWDM-XFP10G-40M</a>	10GBASE CWDM XFP Transceiver, LC, 40km over SMF
<a href="#">X2-10GZR-55</a>	10GBASE ZR X2 Transceiver, SC, 80km over SMF
<a href="#">XFP-10G-MM-LRM</a>	10GBASE LRM XFP Transceiver, LC, 220m over MMF
<a href="#">XFP-10G-BX80U</a>	10GBASE BX80U XFP Transceiver, LC, 80km over SMF
<a href="#">XFP-10G-BX80D</a>	10GBASE BX80D XFP Transceiver, LC, 80km over SMF
<a href="#">XFP-10GZRC-55</a>	10GBASE ZRC XFP Transceiver, LC, 100km over SMF
<a href="#">CWDM-XFP10G-80L</a>	10GBASE CWDM 80L XFP Transceiver, LC, 80km over SMF
<a href="#">XPK-10GER-55</a>	10GBASE ER XENPAK Transceiver, SC, 40km over SMF
<a href="#">XFP-10G-BX60</a>	10GBASE BX60D XFP Transceiver, LC, 60km over SMF
<a href="#">XPK-10GZR-55</a>	10GBASE ZR XENPAK Transceiver, SC, 80km over SMF
<a href="#">XFP-10G-BX60</a>	10GBASE BX60U XFP Transceiver, LC, 60km over SMF

## **I Regulatory and standards compliance**

### **Standards**

- SFF-8665: XFP/X2/XENPAK 10Gb/s 4X Pluggable Transceiver Solution (XFP/X2/XENPAK)
- SFF-8636: Common Management Interface
- 802.3™-2012 IEEE Standard for Ethernet
- IEEE 802.3ba Amendment of IEEE Std 802.3
- IEEE 802.3bm Amendment of IEEE Std 802.3
- GR-20-CORE: Generic Requirements for Optical Fiber and Optical Fiber Cable
- GR-326-CORE: Generic Requirements for Single-Mode Optical Connectors and Jumper Assemblies
- GR-468-CORE: Generic Requirements for Optoelectronic Devices Used in Telecommunications Equipment
- GR-1435-CORE: Generic Requirements for Multifiber Optical Connectors
- RoHS 6

### **Safety**

- Modules are compliant with Laser Class 1 as defined in IEC 60825-1, IEC 60825-2 and Comply with 21 CFR 1040.10 and 1040.11

Table 6. Laser class for the XFP/X2/XENPAK-10G optical modules

<b>Product</b>	<b>Laser class</b>
<b>XFP-10GLR-31</b>	1
<b>XFP-10GSR-85</b>	1
<b>X2-10GSR-85</b>	1
<b>X2-10GLR-31</b>	1
<b>XPK-10GSR-85</b>	1
<b>XPK-10GLR-31</b>	1
<b>XFP-10GER-55</b>	1
<b>XFP-10G-BX40D</b>	1
<b>XFP-10G-BX40U</b>	1


Product	Laser class
XFP-10GZR-55	1
XFP-10G-SM-LRM	1
XFP-10G-BX20D	1
XFP-10G-BX20U	1
XFP-10G-BXD	1
XFP-10G-BXU	1
X2-10GER-55	1
DWDM-XFP10G-80	1
DWDM-XFP10G-40	1
CWDM-XFP10G-20S	1
X2-10GSR-31	1
CWDM-XFP10G-40M	1
X2-10GZR-55	1
XFP-10G-MM-LRM	1
XFP-10G-BX80U	1
XFP-10G-BX80D	1
XFP-10GZRC-55	1
CWDM-XFP10G-80L	1
XPK-10GER-55	1
XFP-10G-BX60	1
XPK-10GZR-55	1
XFP-10G-BX60	1

## Additional information

For more information about 10G XFP/X2/XENPAK Transceiver modules, contact your account manager or visit <https://www.fs.com/c/10g-xfp-x2-xenpak-114>

## Document history

New or revised topic	Described in	Date
10G XFP/X2/XENPAK Transceiver Modules Data Sheet	Updated all	10/17/2022



### **Shenzhen (China)**

Address: Room 2702, Yisibo Software Building,  
Haitian 2nd Road, Yuehai Street, Nanshan  
District, Shenzhen, 518000, China  
Tel: +86(755)8357 1351  
Email: marketing@fs.com

### **Delaware (United States)**

Address: 380 Centerpoint Blvd New Castle,  
DE 19720 United States  
Tel: +1 (888) 468 7419  
Email: us@fs.com

### **Munich (Germany)**

Address: NOVA Gewerbepark Building 7, Am  
Gfild 7, 85375 Neufahrn bei Munich, Germany  
Tel: +49 (0) 8165 80 90 517  
Email: de@fs.com

### **Singapore**

Address: 71 Robinson Rd, Singapore 068895  
Tel: +65 64437951  
Email: sg@fs.com

### **Wuhan (China)**

Address: Optical Valley Software Park A6,  
9th - 18th floor, Guanshan Ave, Hongshan District,  
Wuhan, Hubei Province, 430074, China  
Tel: +86 (027) 8808 9195  
Email: marketing@fs.com

### **Birmingham (United Kingdom)**

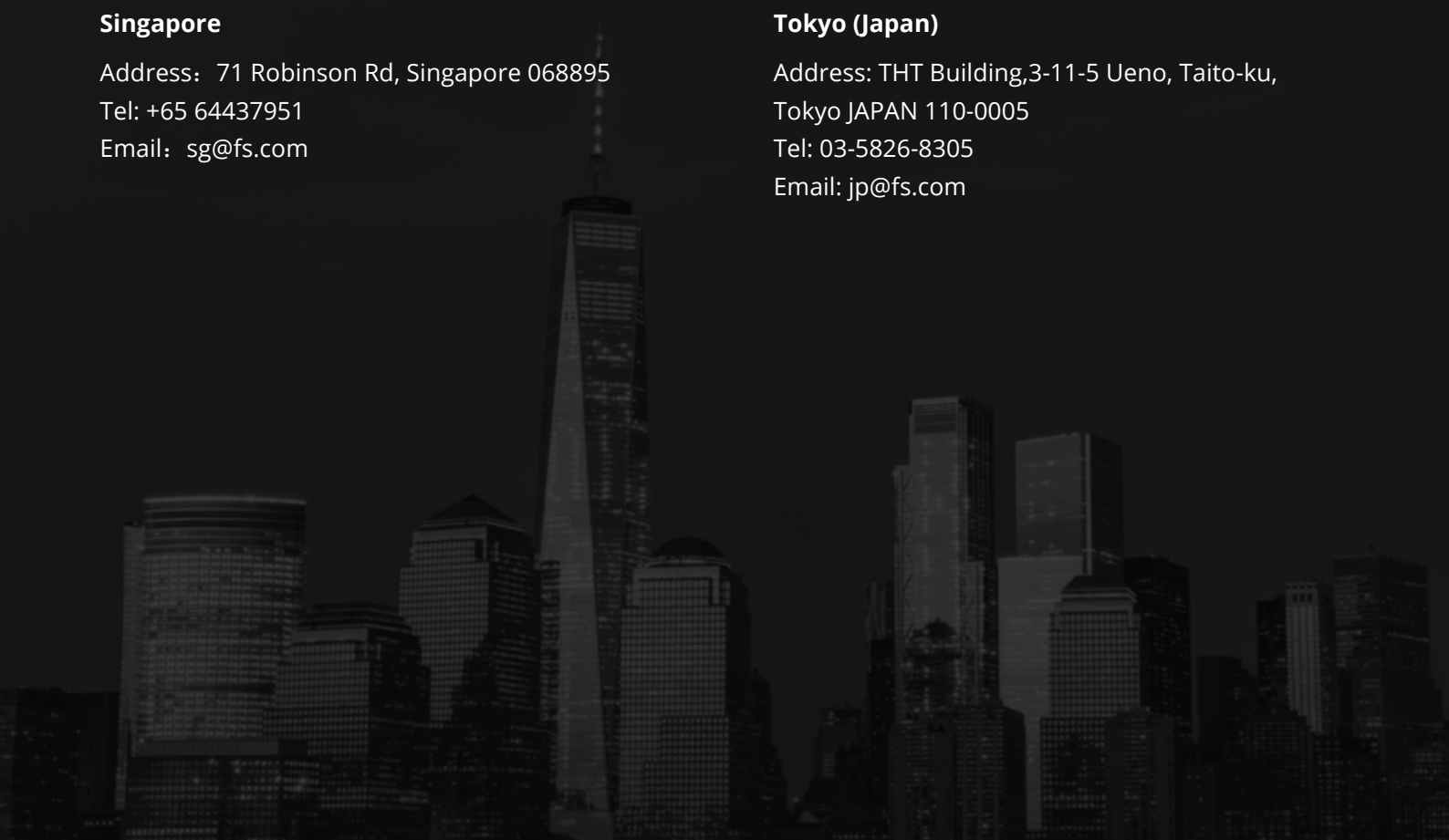
Address: Part 7th Floor, 45 CHURCH STREET,  
Birmingham, B3 2RT  
Tel: +44 (020) 3287 6810  
Email: uk@fs.com

### **Melbourne (Australia)**

Address: 57-59 Edison Rd, Dandenong South,  
VIC 3175, Australia  
Tel: +61 3 9693 3488  
Email: au@fs.com

### **Tokyo (Japan)**

Address: THT Building,3-11-5 Ueno, Taito-ku,  
Tokyo JAPAN 110-0005  
Tel: 03-5826-8305  
Email: jp@fs.com



FS has several offices around the world. Addresses, phone numbers are listed on the FS Website at [https://www.fs.com/contact\\_us.html](https://www.fs.com/contact_us.html)  
FS and FS logo are trademarks or registered trademarks of FS in the U.S. and other countries.